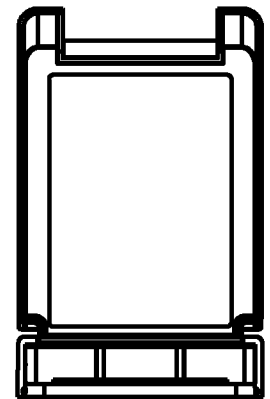
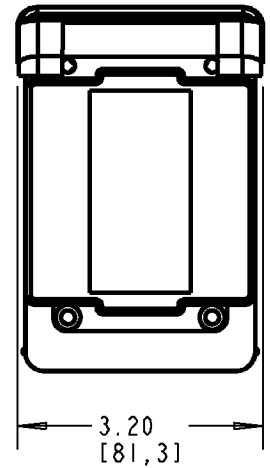
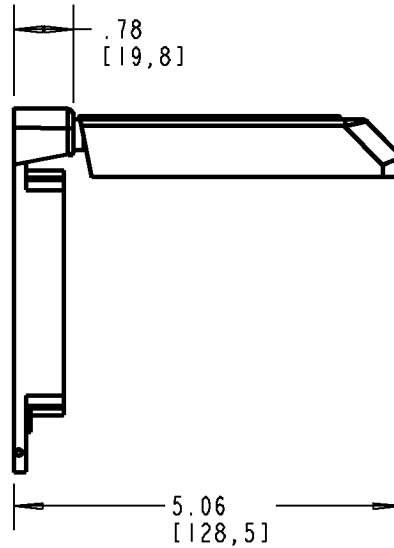
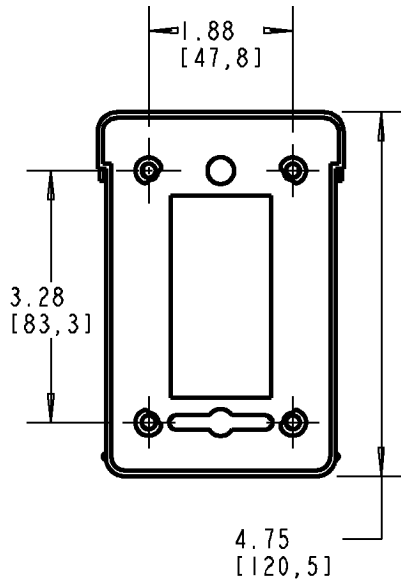
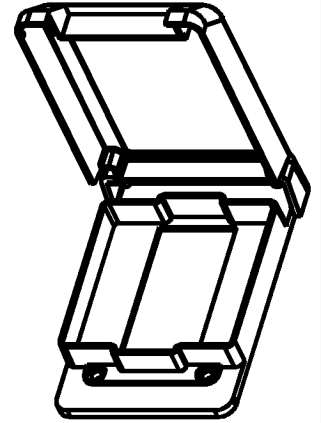



Carlton®



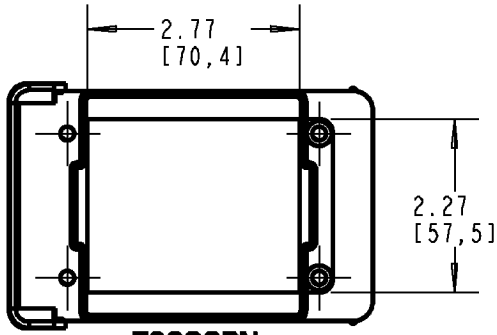
NOTE:

BASES ARE DESIGNED TO SPECIFICALLY SUPPORT VARIOUS RECEPTACLES, AND ALL CONTAIN A COMMON COVER.

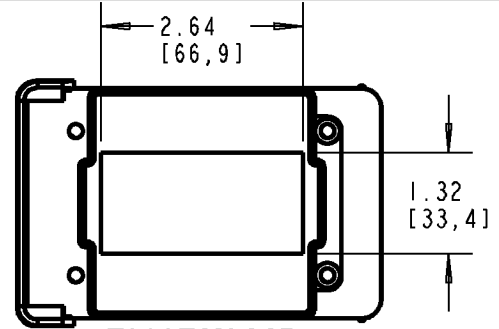
THIS SHEET DEPICTS OVERALL DIMENSIONS. SEE SHEET TWO FOR PART NUMBERS IDENTIFYING RECEPTACLE SPECIFIC BASES.

GENERAL NOTES		 www.tnb.com			
1. ALL DIMENSIONS ARE FOR REFERENCE ONLY. 2. DIMENSIONS IN BRACKETS [] ARE IN METRIC UNITS.					
REVISIONS		DESCRIPTION: WEATHERPROOF COVERS VERTICAL			
** SEE ERN (****) FOR APPROVAL SIGNATURES & RELEASE DATE. PROJECT NO: ****		ORIGINAL PROJECT NO / (ERN NO) / ()	SHEET NO: 1 OF 2	REV. NO: A	DRAWING NO: WSD-AC05025

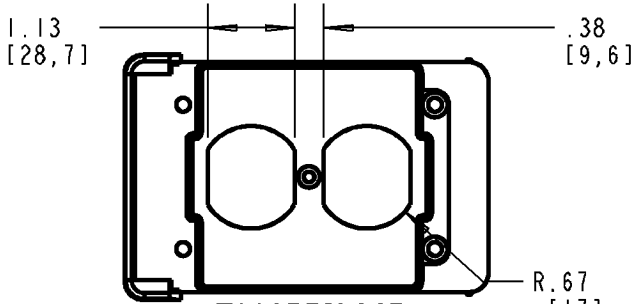
Carlton®



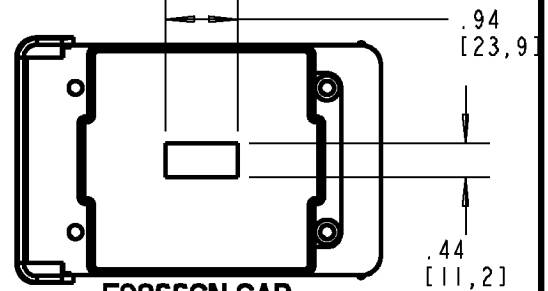
E98GCBN
(CIRCUIT BREAKER)



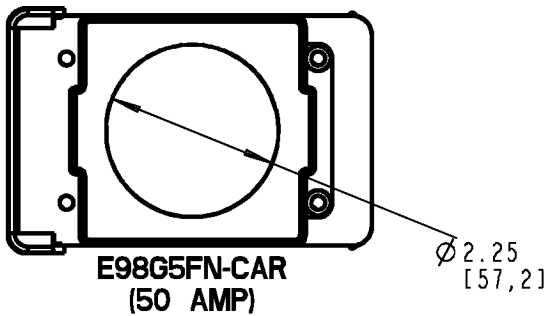
E98GFCN-CAR
E98GFCM-CAR (WHT)
E98GFCB-CAR (BRONZE)
E98GFCBCL (BRONZE)
(GFI)



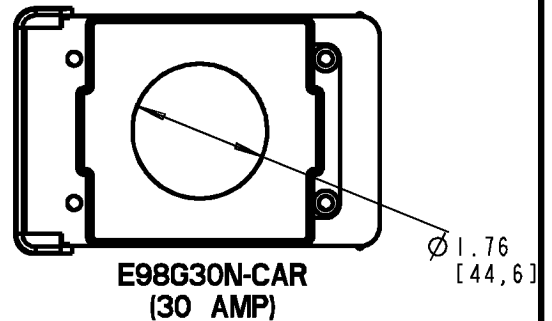
E98GDRN-CAR
E98GDRM-CAR (WHT)
E98GDRB-CAR (BRONZE)
(DUPLEX)



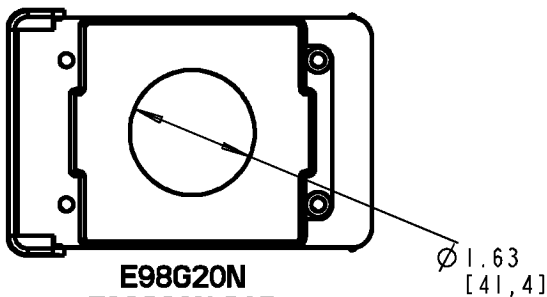
E98SSCN-CAR
E98GSSM-CAR (WHT)
(TOGGLE SWITCH)



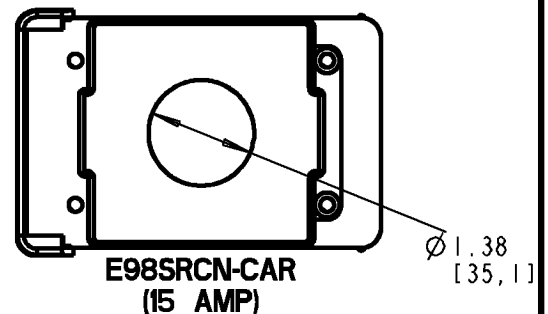
E98G5FN-CAR
(50 AMP)



E98G30N-CAR
(30 AMP)



E98G20N
E98G20N-CAR
(20 AMP)



E98SRCN-CAR
(15 AMP)

Thomas & Betts
www.tnb.com

DESCRIPTION:

WEATHERPROFF COVERS
VERTICAL

SHEET NO:

2 OF 2

REV. NO:

B

DRAWING NO:

WSD-AC05025