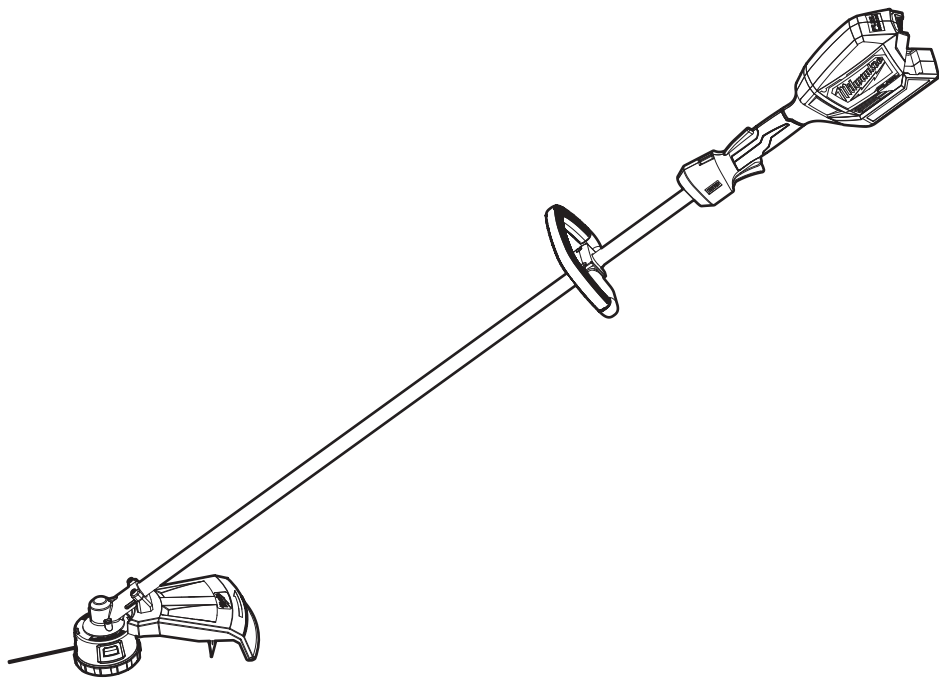




OPERATOR'S MANUAL  
MANUEL de L'UTILISATEUR  
MANUAL del OPERADOR



Cat. No. / No de cat.  
**2725-20**

**M18™ FUEL™ STRING TRIMMER**  
**TAILLE-BORDURES M18™ FUEL™**  
**BORDEADORA DE HILO M18™ FUEL™**



**WARNING** To reduce the risk of injury, user must read and understand operator's manual.

**AVERTISSEMENT** Afin de réduire le risque de blessures, l'utilisateur doit lire et bien comprendre le manuel.

**ADVERTENCIA** Para reducir el riesgo de lesiones, el usuario debe leer y entender el manual.

# IMPORTANT SAFETY INSTRUCTIONS

**WARNING** Read all safety warnings, instructions, illustrations and specifications provided with this power tool. Failure to follow all instructions listed below may result in electric shock, fire and/or serious injury. Save all warnings and instructions for future reference.

## READ ALL INSTRUCTIONS BEFORE USE

### WORK AREA SAFETY

- **Keep work area clean and well lit.** Cluttered or dark areas invite accidents.
- **Do not operate power tools in explosive atmospheres,** such as in the presence of flammable liquids, gases or dust. Power tools create sparks which may ignite the dust or fumes.
- **Keep children and bystanders away while operating a power tool.** Distractions can cause you to lose control.
- **Do not allow to be used as a toy.** Close attention is necessary when used by or near children. Store idle power tools out of the reach of children and do not allow persons unfamiliar with the power tool or these instructions to operate the power tool. Power tools are dangerous in the hands of untrained users.
- **Do not use the tool near anything that is burning or smoking** such as cigarettes, matches, or hot ashes.
- **To reduce the risk of health hazards from vapors or dust, do not use tool near toxic, carcinogenic or other hazardous materials** such as asbestos, arsenic, barium, beryllium, lead, pesticides or other health endangering materials.

### ELECTRICAL SAFETY

- **Do not expose power tools to rain or wet conditions.** Do not immerse in water or spray with a hose. Do not clean with a pressure washer. Water entering a power tool will increase the risk of electric shock. Store tool indoors.

### PERSONAL SAFETY

- **Stay alert, watch what you are doing and use common sense when operating a power tool. Do not use a power tool while you are tired or under the influence of drugs, alcohol or medication.** A moment of inattention while operating power tools may result in serious personal injury.
- **Always wear eye protection.** Use of this tool can result in foreign objects being thrown into eyes, which can result in eye damage.
- **Wear a face or dust mask** when working in dust situations. Dust particles can harm your lungs.
- **Use personal protective equipment.** Protective equipment such as hearing protection, protective clothing, and non-skid safety shoes used for appropriate conditions will reduce personal injuries.
- **Dress properly. Do not wear loose clothing or jewelry. Keep your hair and clothing away from moving parts.** Loose clothes, jewelry or long hair can be caught in moving parts.

- **Do not overreach. Keep proper footing and balance at all times.** This enables better control of the power tool in unexpected situations.
- **Use the power tool, accessories, etc. in accordance with these instructions, taking into account the working conditions and the work to be performed.** Use of the power tool for operations different from those intended could result in a hazardous situation.
- **Prevent unintentional starting. Ensure the switch is in the off-position before connecting to power source and/or battery pack, picking up or carrying the tool.** Carrying power tools with your finger on the switch or energizing power tools that have the switch on invites accidents.
- **Do not let familiarity gained from frequent use of tools allow you to become complacent and ignore tool safety principles.** A careless action can cause severe injury within a fraction of a second.

### POWER TOOL USE AND CARE

- **Do not force the power tool. Use the correct power tool for your application.** The correct power tool will do the job better and safer at the rate for which it was designed.
- **Use tool only as described in this manual.** Use only manufacturer's recommended attachments.
- **Do not use the power tool if the switch does not turn it on and off.** Any power tool that cannot be controlled with the switch is dangerous and must be repaired.
- **Disconnect the plug from the power source and/ or remove the battery pack, if detachable, from the power tool before making any adjustments, changing accessories, or storing power tools.** Such preventive safety measures reduce the risk of starting the power tool accidentally.
- **Store idle power tools out of the reach of children and do not allow persons unfamiliar with the power tool or these instructions to operate the power tool.** Power tools are dangerous in the hands of untrained users.
- **Do not store the power tool on or near to fertilizers or chemicals.**
- **Maintain power tools and accessories. Check for misalignment or binding of moving parts, breakage of parts and any other condition that may affect the power tool's operation. If damaged, have the power tool repaired before use.** Many accidents are caused by poorly maintained power tools.
- **Use the power tool, accessories, etc. in accordance with these instructions, taking into account the working conditions and the work to be performed.** Use of the power tool for operations different from those intended could result in a hazardous situation.
- **Keep handles and grasping surfaces dry, clean and free from oil and grease.** Slippery handles and grasping surfaces do not allow for safe handling and control of the tool in unexpected situations.

### BATTERY TOOL USE AND CARE

- **Remove the battery pack from the power tool before making any adjustments, changing accessories, storing, or any time the power tool is not in use.** Such preventive safety measures reduce the risk of starting the power tool accidentally.

- Turn off power tool before removing battery pack.
- Do not handle battery pack, tool, or charger (including charger plug and terminals) with wet hands.
- Before using the battery pack or charger read the operator's manuals, and any labels on the battery pack, charger and tool.
- Recharge only with the charger specified by the manufacturer. A charger that is suitable for one type of battery pack may create a risk of fire when used with another battery pack.
- Use power tools only with specifically designated battery packs. Use of any other battery packs may create a risk of injury and fire.
- When battery pack is not in use, keep it away from other metal objects, like paper clips, coins, keys, nails, screws or other small metal objects, that can make a connection from one terminal to another. Shorting the battery terminals together may cause burns or a fire.
- Under abusive conditions, liquid may be ejected from the battery; avoid contact. If contact accidentally occurs, flush with water. If liquid contacts eyes, additionally seek medical help. Liquid ejected from the battery may cause irritation or burns.
- Do not use a battery pack or tool that is damaged or modified. Damaged or modified batteries may exhibit unpredictable behavior resulting in fire, explosion or risk of injury.
- Do not expose a battery pack or tool to fire or excessive temperature. Exposure to fire or temperature above 265°F (130°C) may cause explosion.
- Follow all charging instructions and do not charge the battery pack or tool outside the temperature range specified in the instructions. Charging improperly or at temperatures outside the specified range may damage the battery and increase the risk of fire.
- Do not use tool with a damaged trimmer head. Cracked or broken pieces can be thrown.
- Do not operate the tool without the front handle in place. The front handle must be attached properly for use when trimming. Using one hand could cause loss of control and result in serious injury.
- Carry the trimmer by the front handle. Proper handling of the trimmer will prevent injury.
- Use both hands when operating the trimmer. Maintain a firm grip. Using one hand could cause loss of control and result in serious injury.
- Inspect the area before using the tool. Remove all debris and hard objects such as rocks, glass, wire, etc. that can ricochet, be thrown, or otherwise cause injury or damage during operation.
- Keep face, hands and feet clear of rotating line at all times. Rotating line can cause severe lacerations.
- Throw objects may ricochet off of hard surfaces, such as walls, trees, and rocks and cause injury. When possible, do trimming by hand in closed in areas.
- When replacing the line, use only .080" monofilament or .095" braided (2 mm or 2.4 mm) diameter line. Any other size can degrade performance or cause damage to the trimmer.
- Use care when trimming around decorative plants and other obstacles. Rotating line will cut/damage many materials.
- Always turn off the tool between cuts or when transporting from one location to another. Do not carry tool with finger on the trigger. Accidental starting can cause serious personal injury.
- Do not use tool as an edger. Do not tilt tool to create a right angle to the ground. Keep trimmer head and line parallel to the ground. Guard cannot protect against flying debris in this orientation.
- Maintain labels and nameplates. These carry important information. If unreadable or missing, contact a MILWAUKEE service facility for a free replacement.

## SERVICE

- Have your power tool serviced by a qualified repair person using only identical replacement parts. This will ensure that the safety of the power tool is maintained.
- Never service damaged battery packs. Service of battery packs should only be performed by the manufacturer or authorized service providers.

## SPECIFIC SAFETY RULES FOR STRING TRIMMERS

- Keep bystanders at least 50' away during use. Objects may be thrown or ricochet in all directions.
- Brace for unexpected movement when contact is made with a hard object. Loss of control could result in serious injury.
- Do not use blades, brush cutting wheels, accessories, or attachment other than those recommended by MILWAUKEE. Serious injury or product damage may occur.
- Do not operate the tool without the guard in place. The guard must be attached properly when trimming. Operating the trimmer without the guard will cause serious injury.

- **⚠WARNING** Some dust created by power sanding, sawing, grinding, drilling, and other construction activities contains chemicals known to cause cancer, birth defects or other reproductive harm. Some examples of these chemicals are:
  - lead from lead-based paint
  - crystalline silica from bricks and cement and other masonry products, and
  - arsenic and chromium from chemically-treated lumber.

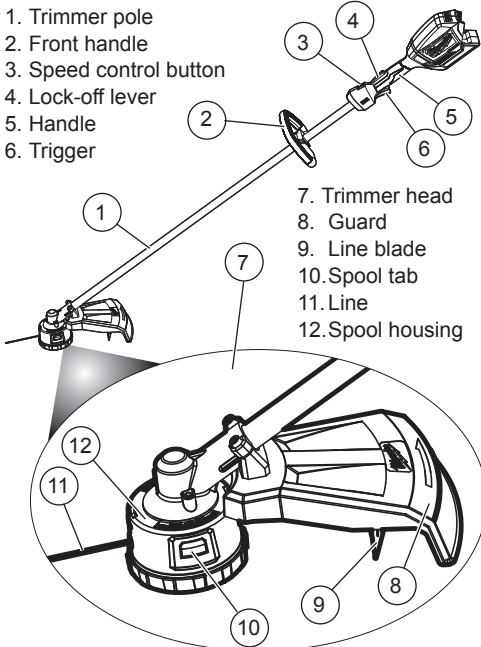
Your risk from these exposures varies, depending on how often you do this type of work. To reduce your exposure to these chemicals: work in a well ventilated area, and work with approved safety equipment, such as those dust masks that are specially designed to filter out microscopic particles.

# READ AND SAVE ALL INSTRUCTIONS FOR FUTURE USE

## SYMBOLLOGY

- V** Volts
- Direct Current
- n<sub>0</sub> XXXX min<sup>-1</sup>** RPM
- !** Safety Alert Symbol
- Read Operator's Manual**  
Always wear eye protection and hearing protection.
- Always wear gloves and personal protective equipment.**
- Always wear protective clothing and footwear**
- Keep bystanders 50' away during use.**
- Objects may be thrown or ricochet in all directions.**
- Do not use in rain or wet locations.**
- Do not use blades or brush cutting wheels.**
- UL US** UL Listing for Canada and U.S.

## FUNCTIONAL DESCRIPTION



## SPECIFICATIONS

Cat. No.....	2725-20
Volts.....	18 DC
Battery Type.....	M18™
Charger Type.....	M18™
RPM.....	0 - 4600 / 0 - 5800
Cutting Line.....	25' x 0.080" spiral
.....	20' x 0.095" spiral
Replacement Line 0.080".....	49-16-2712
0.095".....	49-16-2713

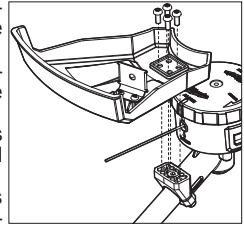
## ASSEMBLY

**WARNING** Do not operate the tool without the guard in place. The guard must be attached properly when trimming. Operating the trimmer without the guard will cause serious injury.

### Installing the Guard

The guard is shipped uninstalled and must be installed before use.

1. Line up the guard bracket with the holes in the guard.
2. Insert four screws through the guard and into the bracket.
3. Tighten the screws securely using the included key.

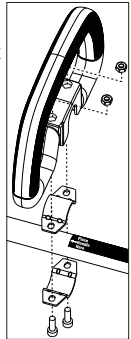


**WARNING** Do not operate the tool without the front handle in place. The front handle must be attached properly for use when trimming. Using one hand could cause loss of control and result in serious injury.

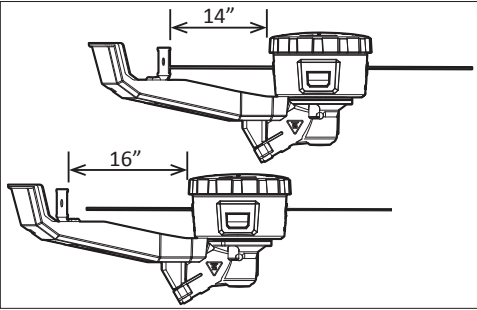
### Installing the Front Handle

The front handle is shipped uninstalled and must be installed before use.

1. Place the two nuts into the front handle detents.
2. Insert one bracket into the handle.
3. Align the front handle with the top of the warning sticker, just above the "Place Handle Here" marking.
4. Wrap the other bracket around the back of the shaft.
5. Insert the two screws through the lower bracket and into the side handle.
6. Tighten the screws securely using the included key.



## Adjusting the Cutting Diameter



To change the cutting diameter from 14" to 16":

1. Remove the battery pack.
2. Remove the two screws holding the line cut-off blade.
3. Rotate the blade 180° and reinstall the screws. Tighten securely.

**WARNING** Recharge only with the charger specified for the battery. For specific charging instructions, read the operator's manual supplied with your charger and battery.

## Removing/Inserting the Battery

To **remove** the battery, push in the release buttons and pull the battery pack away from the tool.

**WARNING** Always remove battery pack before changing or removing accessories.

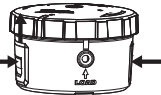
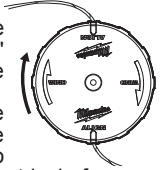
To **insert** the battery, slide the pack into the body of the tool. Make sure it latches securely into place.

**WARNING** Do not use blades, brush cutting wheels, accessories, or attachment other than those recommended by MILWAUKEE. Serious injury or product damage may occur.

## Replacing the Cutting Line

Use only MILWAUKEE trimmer line (see Specifications). Replace the cutting line with either 20' of .095 line or 25' of .080 line. Note, when used near abrasive surfaces or in dense growth, the cutting line will wear faster.

1. Remove the battery pack.
2. Clean any grass or debris from the trimmer head.
3. Measure out 20' of .095 line or 25' of .080 line. **CAUTION:** When replacing the line, use only MILWAUKEE .080" or .095" (2 mm or 2.4 mm) diameter line. Any other line can degrade performance or cause damage to the trimmer.
4. Rotate the cap to align the red indicators on the cap with the red indicators above the eyelets.
5. Insert the line through either eyelet and push through the head so an equal amount of line extends from each eyelet.
6. Begin winding the line by rotating the cap in the direction of the arrows. Continue twisting until 4" to 6" of line extends from the eyelets.
7. Check that the exposed line extends no further than the line blade. If the exposed line is too long, continue winding the cap or trim before use.
8. Under normal operation, the remaining string should be thrown from the spinning head during use. If any string remains in the head, or to remove a length of string to replace with a different type, turn the trimmer head over and press the release tabs. Pull the cover away from the head (2). Discard any short line remnants. Snap the cover back onto the trimmer head.



## Selecting the Speed

Use the speed control button to select Low or High speeds. Use low speed for larger jobs where extended battery life is needed. Use high speed for dense growth applications.



## OPERATION

**WARNING** To reduce the risk of injury, always wear safety goggles or glasses with side shields.

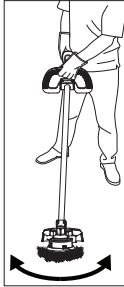
Do not operate the tool without the guard in place. The guard must be attached properly when trimming. Operating the trimmer without the guard will cause serious injury.

Use both hands when operating the trimmer. Maintain a firm grip. Using one hand could cause loss of control and result in serious injury.

Inspect the area before use. Remove all debris and hard objects such as rocks, glass, wire, etc. that can ricochet, be thrown, or otherwise cause injury or damage during operation.

### Trimming

1. Grasp the tool firmly by both handles.
2. To **start** the trimmer, squeeze the lock-off lever and pull the trigger.
3. To **vary** the speed, increase or decrease the pressure on the trigger. The further the trigger is pulled, the greater the speed up to the maximum set by the speed control button.
4. Allow the trimmer to angle down, keeping at least 12" between the trimmer head and any body part. Hold the trimmer just above the ground and swing the head side to side.



5. **WARNING!** Do not use tool as an edger. Do not tilt tool to create a right angle to the ground. Keep trimmer head and line parallel to the ground. Guard cannot protect against flying debris in this orientation.
6. To **feed** out the line, bump it against the ground gently while running at a normal speed. **NOTE:** When used near abrasive surfaces or in dense growth, the cutting line will wear faster and require "bumping" more often.
7. To **stop** the trimmer, release the trigger. Make sure the tool comes to a complete stop before laying the tool down.

### Cutting Tips

- Allow the ends of the line to do the cutting.
- Contact between the line and solid objects will cause extra line wear and breakage.
- Do not drag the spool cover along the ground or bump it too hard. Only bump spool on the ground. Do not bump against rocks, driveways, etc.
- Make multiple passes in long growth.
- Avoid ornamental trees, shrubs, and plantings. Avoid contact with siding, fence posts, etc. They can all be damaged by the trimmer.

## MAINTENANCE

**WARNING** To reduce the risk of injury, always unplug the charger and remove the battery pack from the charger or tool before performing any maintenance. Never disassemble the tool, battery pack or charger. Contact a MILWAUKEE service facility for ALL repairs.

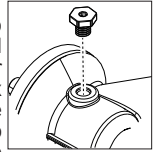
### Maintaining Tool

Keep your tool, battery pack and charger in good repair by adopting a regular maintenance program. Inspect your tool for issues such as undue noise, misalignment or binding of moving parts, breakage of parts, or any other condition that may affect the tool operation. Return the tool, battery pack, and charger to a MILWAUKEE service facility for repair. After six months to one year, depending on use, return the tool, battery pack and charger to a MILWAUKEE service facility for inspection.

If the tool does not start or operate at full power with a fully charged battery pack, clean the contacts on the battery pack. If the tool still does not work properly, return the tool, charger and battery pack, to a MILWAUKEE service facility for repairs.

### Gearcase Lubrication

After about 50 hrs of use, the gearcase should be lubricated to increase performance and extend the life of the tool. Place the trimmer head on its side and remove the hex head screw. Add up to 10g of Type Y grease (Cat. No. 49-08-5270) to the cavity. Do not overfill. Replace the hex head screw and tighten securely.



### Maintaining Line

Store extra line in a sealed plastic bag with a tablespoon of water to avoid drying or cracking. Periodically sharpen the line cutter to ensure the line does not extend too long from the spool, which can cause motor overload.

**WARNING** To reduce the risk of personal injury and damage, never immerse your tool, battery pack or charger in liquid or allow a liquid to flow inside them.

### Cleaning

Clean dust and debris from vents. Keep handles clean, dry and free of oil or grease. Use only mild soap and a damp cloth to clean, since certain cleaning agents and solvents are harmful to plastics and other insulated parts. Some of these include gasoline, turpentine, lacquer thinner, paint thinner, chlorinated cleaning solvents, ammonia and household detergents containing ammonia. Never use flammable or combustible solvents around tools.

### Repairs

For repairs, return the tool, battery pack and charger to the nearest service center.

## ACCESSORIES

**WARNING** Use only recommended accessories. Others may be hazardous.

For a complete listing of accessories, go online to [www.milwaukeetool.com](http://www.milwaukeetool.com) or contact a distributor.

## SERVICE - UNITED STATES

# 1-800-SAWDUST (1.800.729.3878)

Monday-Friday, 7:00 AM - 6:30 PM CST

or visit [www.milwaukeetool.com](http://www.milwaukeetool.com)

Contact Corporate After Sales Service Technical Support with technical, service/repair, or warranty questions.

Email: [metproductsupport@milwaukeetool.com](mailto:metproductsupport@milwaukeetool.com)

Become a Heavy Duty Club Member at [www.milwaukeetool.com](http://www.milwaukeetool.com) to receive important notifications regarding your tool purchases.

## SERVICE - CANADA

### Milwaukee Tool (Canada) Ltd 1.800.268.4015

Monday-Friday, 7:00 AM - 4:30 PM CST

or visit [www.milwaukeetool.ca](http://www.milwaukeetool.ca)

## LIMITED WARRANTY USA & CANADA

Every MILWAUKEE Outdoor Power Equipment Product\* (see exceptions below) is warranted to the original purchaser only to be free from defects in material and workmanship. Subject to certain exceptions, MILWAUKEE will repair or replace any part on an outdoor power equipment product which, after examination, is determined by MILWAUKEE to be defective in material or workmanship for a period of three (3) years after the date of purchase unless otherwise noted. Return of the outdoor power equipment to a MILWAUKEE factory Service Center location or participating MILWAUKEE Authorized Service Station, freight prepaid and insured, is required. A copy of the proof of purchase should be included with the return product. This warranty does not apply to damage that MILWAUKEE determines to be from repairs made or attempted by anyone other than MILWAUKEE authorized personnel, misuse, alterations, abuse, normal wear and tear, lack of maintenance, or accidents.

**Normal Wear:** Many outdoor power equipment products need periodic parts replacement and service to achieve best performance. This warranty does not cover repair when normal use has exhausted the life of a part including, but not limited to trimmer head, trimmer head spool, cutting lines, blades, chains, blower tubes, brushes, o-rings, and seals. \*This warranty does not cover Cordless Battery Packs or Reconditioned Product. There are separate and distinct warranties available for these products.

MILWAUKEE does not cover freight or labor charges associated with the inspection and testing of outdoor power equipment products which are found by MILWAUKEE not to be a valid warranty claim. A valid warranty claim must be substantiated by the discovery of defective material or workmanship by MILWAUKEE.

ACCEPTANCE OF THE EXCLUSIVE REPAIR AND REPLACEMENT REMEDIES DESCRIBED HEREIN IS A CONDITION OF THE CONTRACT FOR THE PURCHASE OF EVERY MILWAUKEE PRODUCT. IF YOU DO NOT AGREE TO THIS CONDITION, YOU SHOULD NOT PURCHASE THE PRODUCT. IN NO EVENT SHALL MILWAUKEE BE LIABLE FOR ANY INCIDENTAL, SPECIAL, CONSEQUENTIAL OR PUNITIVE DAMAGES, OR FOR ANY COSTS, ATTORNEY FEES, EXPENSES, LOSSES OR DELAYS ALLEGED TO BE AS A CONSEQUENCE OF ANY DAMAGE TO, FAILURE OF, OR DEFECT IN ANY PRODUCT INCLUDING, BUT NOT LIMITED TO, ANY CLAIMS FOR LOSS OF PROFITS. SOME STATES DO NOT ALLOW THE EXCLUSION OR LIMITATION OF INCIDENTAL OR CONSEQUENTIAL DAMAGES, SO THE ABOVE LIMITATION OR EXCLUSION MAY NOT APPLY TO YOU. THIS WARRANTY IS EXCLUSIVE AND IN LIEU OF ALL OTHER EXPRESS WARRANTIES, WRITTEN OR ORAL, TO THE EXTENT PERMITTED BY LAW, MILWAUKEE DISCLAIMS ANY IMPLIED WARRANTIES, INCLUDING WITHOUT LIMITATION ANY IMPLIED WARRANTY OF MERCHANTABILITY OR FITNESS FOR A PARTICULAR USE OR PURPOSE; TO THE EXTENT SUCH DISCLAIMER IS NOT PERMITTED BY LAW, SUCH IMPLIED WARRANTIES ARE LIMITED TO THE DURATION OF THE APPLICABLE EXPRESS WARRANTY AS DESCRIBED ABOVE. SOME STATES DO NOT ALLOW LIMITATIONS ON HOW LONG AN IMPLIED WARRANTY LASTS, SO THE ABOVE LIMITATION MAY NOT APPLY TO YOU, THIS WARRANTY GIVES YOU SPECIFIC LEGAL RIGHTS, AND YOU MAY ALSO HAVE OTHER RIGHTS WHICH VARY FROM STATE TO STATE.

This warranty applies to product sold in the U.S.A. and Canada only. Please consult the 'Service Center Search' in the Parts & Service section of MILWAUKEE's website [www.milwaukeetool.com](http://www.milwaukeetool.com) or call 1.800.SAWDUST (1.800.729.3878) to locate your nearest service facility for warranty and non-warranty service on a Milwaukee electric power tool.

## LIMITED WARRANTY - MEXICO, CENTRAL AMERICA & CARIBBEAN

TECHTRONIC INDUSTRIES' warranty is for 3 year since the original purchase date.

This warranty card covers any defect in material and workmanship on this Power Tool.

To make this warranty valid, present this warranty card, sealed/stamped by the distributor or store where you purchased the product, to the Authorized Service Center (ASC). Or, if this card has not been sealed/stamped, present the original proof of purchase to the ASC. Call toll-free 1 800 832 1949 to find the nearest ASC, for service, parts, accessories or components.

### Procedure to make this warranty valid

Take the product to the ASC, along with the warranty card sealed/stamped by the distributor or store where you purchased the product, and there any faulty piece or component will be replaced without cost for you. We will cover all freight costs relative with this warranty process.

### Exceptions

This warranty is not valid in the following situations:

- When the product is used in a different manners from the end-user guide or instruction manual.
- When the conditions of use are not normal.
- When the product was modified or repaired by people not authorized by TECHTRONIC INDUSTRIES.

Note: If cord set is damaged, it should be replaced by an Authorized Service Center to avoid electric risks.

SERVICE AND ATTENTION CENTER:  
Av Presidente Mazarik 29 Piso 7, 11560 Polanco V Sección  
Miguel Hidaigo, Distrito Federal, Mexico  
Ph. 52 55 4160-3547

IMPORTED AND COMMERCIALIZED BY:  
TECHTRONIC INDUSTRIES MEXICO, S.A. DE C.V.  
Av Presidente Mazarik 29 Piso 7, 11560 Polanco V Sección  
Miguel Hidaigo, Distrito Federal, Mexico

**Model:** \_\_\_\_\_

**Date of Purchase:** \_\_\_\_\_

**Distributor or Store Stamp:** \_\_\_\_\_

## RÈGLES DE SÉCURITÉ GÉNÉRALES RELATIVES AUX OUTILS ÉLECTRIQUES

**▲ AVERTISSEMENT** Lire toutes les consignes de sécurité, consignes, illustrations et spécifications fournies avec cet outil électrique. Ne pas suivre l'ensemble des règles et instructions peut entraîner une électrocution, un incendie ou des blessures graves. **Conserver les règles et les instructions à des fins de référence ultérieure.** Le terme «outil électrique» figurant dans les avertissements ci-dessous renvoie à l'outil électrique à alimentation par le réseau (à cordon) ou par batterie (sans fil).

### SÉCURITÉ DU LIEU DE TRAVAIL

- **Veillez à ce que l'aire de travail soit propre et bien éclairée.** Le désordre et le manque de lumière favorisent les accidents.
- **Ne pas utiliser d'outils électriques dans des atmosphères explosives, par exemple en présence de liquides, gaz ou poussières inflammables.** Les outils électriques produisent des étincelles risquant d'enflammer les poussières ou vapeurs.
- **S'assurer que les enfants et les curieux se trouvent à une bonne distance au moment d'utiliser un outil électrique.** Les distractions peuvent causer une perte de contrôle.
- **Ne laisser personne utiliser l'outil comme un jouet.** Une surveillance étroite est impérative lorsqu'il est utilisé par ou à proximité d'enfants. Entreposer l'outil électrique hors de la portée des enfants et interdire à quiconque de l'utiliser si la personne ne connaît pas le produit ou ses instructions d'utilisation. Les outils sont dangereux dans les mains d'utilisateurs novices.
- **Ne pas utiliser l'outil près d'objets qui brûlent ou qui fument** comme des cigarettes, des allumettes ou des cendres chaudes.
- **Afin de réduire les risques pour la santé imputables aux vapeurs ou aux poussières, ne pas utiliser l'outil près de matières toxiques, cancérigènes ou toute autre matière dangereuse** telle que l'amiante, l'arsenic, le baryum, le béryllium, le plomb, les pesticides ou autres matières nocives pour la santé.

### SÉCURITÉ ÉLECTRIQUE

- **Ne pas exposer les outils électriques à l'eau ou l'humidité. Ne pas immerger dans l'eau ou arroser avec un tuyau. Ne pas nettoyer avec une laveuse à haute pression.** La pénétration d'eau dans ces outils accroît le risque de décharge électrique. Ranger l'outil à l'intérieur.

### SÉCURITÉ INDIVIDUELLE

- **Rester attentif, prêter attention au travail et faire preuve de bon sens lors de l'utilisation de tout outil électrique. Ne pas utiliser cet appareil en cas de fatigue ou sous l'influence de l'alcool, de drogues ou de médicaments.** Un moment d'inattention pendant l'utilisation d'un outil électrique peut entraîner des blessures graves.
- **Toujours porter une protection oculaire.** L'utilisation de cet outil peut causer la projection d'objets en direction des yeux, entraînant des lésions oculaires.
- **Porter un masque facial ou anti-poussières** lorsque vous travaillez dans la poussière. Les particules de poussière peuvent endommager vos poumons.

- **Utiliser un équipement de protection individuelle.** Les équipements de protection tels qu'une protection auditive, des vêtements de protection et des chaussures de sécurité antidérapantes utilisés pour les conditions appropriées réduiront les blessures.
- **Porter une tenue appropriée. Ne porter ni vêtements amples, ni bijoux. Garder vos cheveux et vêtements à l'écart des pièces en mouvement.** Les vêtements flottants, les bijoux ou les cheveux longs risquent d'être happés par les pièces en mouvement.
- **Empêcher les démarrages accidentels. S'assurer que la gâchette est en position d'arrêt avant de brancher l'outil à une source de courant, d'insérer la batterie, de le ramasser ou de le transporter.** Le fait de transporter un outil électrique en gardant le doigt sur la gâchette ou de mettre sous tension un outil électrique lorsque la gâchette est en position de marche favorise les accidents.
- **Utiliser l'outil électrique, les accessoires, etc. conformément à ces instructions en tenant compte des conditions de travail et de la tâche à effectuer.** L'utilisation d'un outil électrique pour des applications pour lesquelles il n'est pas conçu peut être dangereuse.
- **Ne pas travailler hors de portée. Toujours se tenir bien campé et en équilibre.** Une bonne stabilité procure un meilleur contrôle de l'outil électrique en cas d'imprévu.
- **Ne pas laisser la familiarité avec l'outil acquise par une utilisation fréquente vous rendre suffisant et vous amener à ignorer les règles de sécurité.** Une utilisation négligée peut causer une blessure grave en une fraction de seconde.

### UTILISATION ET ENTRETIEN DE L'OUTIL ÉLECTRIQUE

- **Ne pas forcer l'outil électrique. Utiliser l'outil électrique approprié pour l'application.** Un outil électrique approprié exécutera le travail mieux et de façon moins dangereuse s'il est utilisé dans les limites prévues.
- **Utiliser l'outil exclusivement selon les instructions de ce manuel.** Utiliser exclusivement les accessoires recommandés par le fabricant.
- **Ne pas utiliser l'outil électrique si le commutateur ne permet pas de le mettre en marche ou de l'arrêter.** Tout outil électrique qui ne peut pas être contrôlé par son commutateur est dangereux et doit être réparé.
- **Débrancher l'outil et/ou retirer le bloc-piles, si possible, avant d'effectuer des réglages, de changer d'accessoire ou de remettre l'outil.** Ces mesures de sécurité préventives réduisent les risques de démarrage accidentel de l'outil.
- **Entreposer l'outil électrique hors de la portée des enfants et interdire à quiconque de l'utiliser si la personne ne connaît pas bien le produit ou les instructions.** Les outils électriques sont dangereux dans les mains d'utilisateurs novices.
- **Entretenir les outils électriques et les accessoires.** Vérifier qu'aucune pièce mobile n'est mal alignée ou bloquée, qu'aucune pièce n'est brisée et s'assurer qu'aucun autre problème risque d'affecter le bon fonctionnement de l'outil. En cas de dommages, faire réparer l'outil avant de l'utiliser. Plusieurs accidents sont causés par des produits mal entretenus.
- **Utiliser l'outil électrique, les accessoires, etc. conformément à ces instructions en tenant compte des conditions de travail et de la tâche à effectuer.** L'utilisation d'un outil électrique pour



des applications pour lesquelles il n'est pas conçu peut être dangereuse.

- **Garder les poignées et les surfaces de préhension sèches, propres et exemptes d'huile ou de graisse.** Des poignées et des surfaces de préhension glissantes ne permettent pas de manipuler et de contrôler l'outil en toute sécurité en cas de situation imprévue.

## UTILISATION ET ENTRETIEN DE LA BATTERIE

- **Retirer le bloc-piles de l'outil électrique avant d'effectuer des réglages, de changer les accessoires, de remiser l'outil ou lorsque l'outil électrique n'est pas utilisé.** Ces mesures de sécurité préventives réduisent les risques de démarrage accidentel de l'outil.
- **Arrêter l'outil électrique avant de retirer le bloc-piles.**
- **Ne pas manipuler le bloc-piles, l'outil ou le chargeur (y compris la fiche et les bornes du chargeur) avec les mains mouillées.**
- **Avant d'utiliser le bloc-piles ou le chargeur, lire les manuels d'utilisation et toutes les étiquettes apposées.**
- **Pour recharger le bloc-piles, utiliser seulement le chargeur spécifié par le fabricant.** Un chargeur pouvant convenir à un type de bloc-piles peut entraîner un risque d'incendie lorsqu'il est utilisé avec un autre type de bloc-piles.
- **N'utiliser l'outil électrique qu'avec une batterie recommandée.** L'utilisation de tout autre bloc-piles peut créer un risque de blessures et d'incendie.
- **Lorsque le bloc-piles n'est pas utilisé, le tenir éloigné des objets en métal tels que les trombones, les pièces de monnaie, les clés, les clous, les vis ou d'autres petits objets métalliques qui pourraient connecter les bornes.** Le court-circuitage des bornes d'une pile peut entraîner des brûlures ou un incendie.
- **Éviter tout contact avec le liquide pouvant être éjecté de la pile en cas de manutention abusive. En cas de contact accidentel, rincer immédiatement les parties atteintes avec de l'eau. Si le liquide entre en contact avec les yeux, consulter un médecin.** Le liquide éjecté des piles peut causer des irritations ou des brûlures.
- **N'utiliser aucun bloc-piles ni aucun outil ayant été endommagé ou modifié.** Des piles endommagées ou modifiées peuvent adopter un comportement imprévisible pouvant causer un incendie, une explosion ou le risque de blessures.
- **Ne pas exposer le bloc-piles ou l'outil aux flammes ou à une température excessive.** Une exposition aux flammes ou à une température supérieure à 130°C (265°F) peut causer une explosion.
- **Suivre toutes les instructions de charge et ne pas charger le bloc-piles ou l'outil en dehors de la plage de température spécifiée.** Une charge incorrecte ou à des températures en dehors de la plage spécifiée peut endommager la pile et augmenter le risque d'incendie.

## ENTRETIEN

- **Les réparations de l'outil électrique doivent être confiées à un technicien qualifié, utilisant exclusivement des pièces identiques à celles d'origine.** Le maintien de la sûreté de l'outil électrique sera ainsi assuré.
- **Ne jamais effectuer la réparation d'un bloc-piles endommagé.** La réparation du bloc-piles doit être réalisée par le fabricant ou les fournisseurs de service agréés uniquement.

## RÈGLES DE SÉCURITÉ SPÉCIFIQUES POUR TAILLE-BORDURES

- **Pendant l'utilisation, garder les badaus à une distance de minimum 15 m (50').** Des objets peuvent être projetés ou ricocher dans toutes les directions.
- **Se préparer à un mouvement inattendu lors d'un contact avec un objet rigide.** La perte de contrôle peut entraîner des blessures graves.
- **Ne pas utiliser des lames, des roues de coupe à brosse ou des accessoires autres que ceux recommandés par MILWAUKEE.** Des blessures graves ou des dommages matériels peuvent se produire.
- **Ne pas utiliser l'outil sans tous les dispositifs de protection en place.** La protection doit être fixée correctement lors du taillage. L'utilisation du taille-bordures sans protection entraînera des blessures graves.
- **Ne pas utiliser l'outil avec une tête de coupe endommagée.** Les pièces cassées ou fissurées peuvent être projetées.
- **Ne pas utiliser l'outil sans la poignée avant en place.** La poignée avant doit être fixée correctement lors du taillage. L'utilisation d'une seule main pourrait causer la perte de contrôle et entraîner des blessures graves.
- **Transporter le taille-bordures par la poignée avant.** Une manipulation appropriée du taille-bordures réduira le risque d'une blessure.
- **Utiliser le taille-bordures uniquement avec les deux mains. Maintenir une prise ferme.** L'utilisation d'une seule main pourrait causer la perte de contrôle et entraîner des blessures graves.
- **Inspecter la zone avant d'utiliser l'outil.** Enlever tous les débris et les objets rigides tels que les pierres, le verre, les fils, etc. qui peuvent ricocher, être projetés ou autrement causer des blessures ou des dommages pendant l'utilisation.
- **Garder le visage, les mains et les pieds à l'écart du fil rotatif en permanence.** Le fil rotatif peut causer des lacérations graves.
- **Les objets projetés peuvent ricocher sur des surfaces rigides, telles que les murs, les arbres et les rochers et causer des blessures.** Lorsque cela est possible, tailler à la main les endroits d'accès restreint.
- **Lors de remplacement du fil, utiliser uniquement du fil monofilament de 2 mm (0,080") ou du fil tressé de 2,4 mm (0,095") de diamètre.** Toute autre taille peut dégrader les performances ou endommager le taille-bordures.
- **Faire attention lors de la coupe autour des plantes décoratives et autres obstacles.** Le fil rotatif est capable de couper/endommager de nombreux matériaux.
- **Toujours éteindre l'outil entre les coupes ou lors du transport d'un endroit à l'autre.** Ne pas transporter l'outil avec le doigt sur la gâchette. Un démarrage accidentel peut provoquer des blessures graves.
- **Ne pas utiliser l'outil comme un coupe-bordures. Ne pas incliner l'outil pour créer un angle droit vers le sol.** Garder la tête de coupe et le fil parallèles au sol. La protection ne protège pas contre les projections de débris dans cette orientation.
- **Maintenir en l'état les étiquettes et les plaques d'identification.** Des informations importantes y figurent. Si elles sont illisibles ou manquantes, contacter un centre de services et d'entretien MILWAUKEE pour un remplacement gratuit.

**AVERTISSEMENT** Certaines poussières générées par les activités de ponçage, de coupe, de rectification, de perforage et d'autres activités de construction contiennent des substances considérées être la cause de malformations congénitales et de troubles de l'appareil reproducteur. Parmi ces substances figurent:

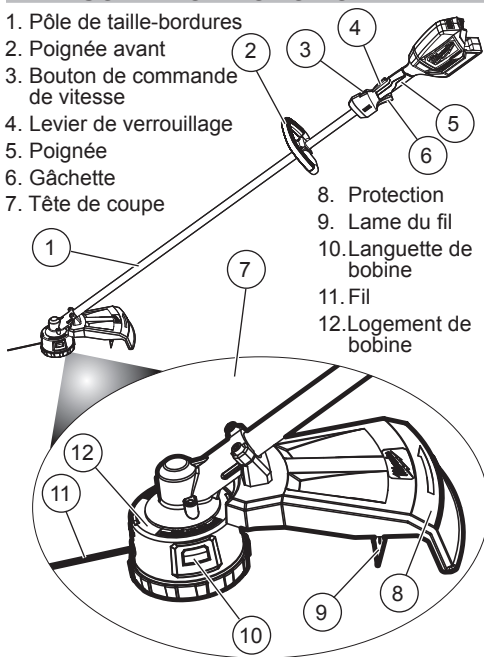
- le plomb contenu dans les peintures à base de plomb;
  - la silice cristalline des briques, du ciment et d'autres matériaux de maçonnerie, ainsi que
  - l'arsenic et le chrome des sciages traités chimiquement.
- Les risques encourus par l'opérateur envers ces expositions varient en fonction de la fréquence de ce type de travail. Pour réduire l'exposition à ces substances chimiques, l'opérateur doit: travailler dans une zone bien ventilée et porter l'équipement de sécurité approprié, tel qu'un masque anti-poussière spécialement conçu pour filtrer les particules microscopiques.

# LIRE ET CONSERVER TOUTES LES INSTRUCTIONS POUR UTILISATION ULTÉRIEURE

## DESCRIPTION FONCTIONNELLE

1. Pôle de taille-bordures
2. Poignée avant
3. Bouton de commande de vitesse
4. Levier de verrouillage
5. Poignée
6. Gâchette
7. Tête de coupe

8. Protection
9. Lame de fil
10. Langue de bobine
11. Fil
12. Logement de bobine



## PICTOGRAPHIE

- Volts
- Courant direct
- $n_0$  XXXX min<sup>-1</sup> Tours-minute à vide (RPM)
- Symbole d'alerte de sécurité
- Lire le manuel d'utilisation
- Toujours porter une protection oculaire et auditive.
- Toujours porter des gants et des équipements de protection individuelle.
- Toujours porter des vêtements et des chaussures de protection.
- Garder les badauds à une distance de 15 m (50') pendant l'utilisation.
- Des objets peuvent être projetés ou ricocher dans toutes les directions.
- Ne pas utiliser par temps de pluie ni dans des endroits humides.
- Ne pas utiliser de lames ou de roues de coupe à brosse.
- UL Listing Mark pour Canada et États-unis

## SPECIFICATIONS

No de Cat.....	2725-20
Volts.....	18 CD
Type de batterie .....	M18™
Type de chargeur .....	M18™
RPM.....	0 - 4 600 / 0 - 5 800
Fil de coupe .....	spirale de 7,6 m (25') x 2 mm (0,080")
.....	spirale de 6,1 m (20') x 2,4 mm (0,095")
Ligne de rechange	2 mm (0,080")..... 49-16-2712
	2,4 mm (0,095").. 49-16-2713

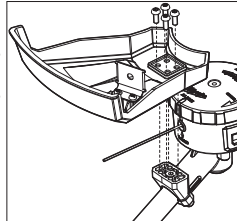
## MONTAGE DE L'OUTIL

**AVERTISSEMENT** Ne pas utiliser l'outil sans que la protection soit en place. La protection doit être fixée correctement lors du taillage. L'utilisation du taille-bordures sans protection entraînera des blessures graves.

### Installation de la protection

La protection est expédiée désinstallée et doit être installée avant l'utilisation.

1. Aligner le support de la protection sur les trous de la protection.
2. Insérer 4 vis à travers la protection et dans le support.
3. Serrer les vis avec la clé fournie.

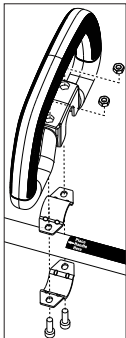


**AVERTISSEMENT** Ne pas utiliser l'outil sans la poignée avant en place. La poignée avant doit être fixée correctement lors du taillage. L'utilisation d'une seule main pourrait causer la perte de contrôle de l'outil et entraîner des blessures graves.

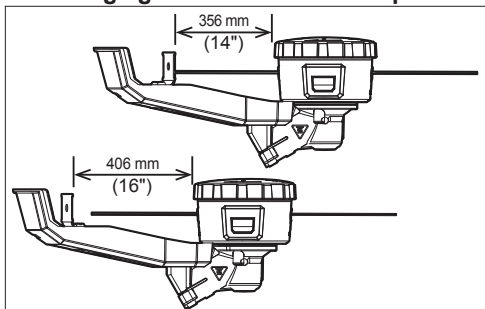
### Installation de la poignée avant

La poignée avant est expédiée désinstallée et doit être installée avant l'utilisation.

1. Placer les deux écrous dans les crans de la poignée avant.
2. Insérer un support dans la poignée.
3. Aligner la poignée avant sur la partie supérieure de l'autocollant d'avertissement, juste au-dessus du marquage « Placer poignée ici ».
4. Enrouler l'autre support autour de l'arrière de l'arbre.
5. Insérer les deux vis à tête à travers le support inférieur et dans la poignée latérale.
6. Serrer fermement les vis à l'aide de la clé fournie.



### Réglage du diamètre de coupe



Pour changer le diamètre de coupe de 356 mm (14") à 406 mm (16") :

1. Retirer le bloc-piles.
2. Retirer les deux vis qui retiennent la lame de coupe du fil.
3. Faire tourner la lame de 180° et réinstaller les vis. Serrer fermement.

**AVERTISSEMENT** Ne recharger la batterie qu'avec le chargeur spécifié. Pour les instructions de charge spécifiques, lire le manuel d'utilisation fourni avec le chargeur et les batteries.

### Insertion/Retrait de la batterie

Pour retirer la batterie, enfoncer les boutons de déverrouillage et la tirer hors de l'outil.

**AVERTISSEMENT** Il faut toujours retirer la batterie et verrouiller la détente de l'outil avant de changer ou d'enlever les accessoires.

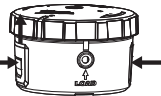
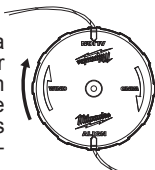
Pour insérer la batterie, la glisser dans le corps de l'outil. S'assurer qu'elle est fixée solidement.

**AVERTISSEMENT** Ne pas utiliser des lames, des roues de coupe à brosse ou des accessoires autres que ceux recommandés par MILWAUKEE. Des blessures graves ou des dommages matériels peuvent se produire.

### Remplacement de la ligne de coupe

Utiliser le fil de coupe MILWAUKEE uniquement (voir Spécifications). Remplacer la ligne de coupe avec soit 6 m (20') de la ligne de 2,4 mm (0,095"), soit 7,5 m (25') de la ligne de 2 mm (0,080"). Il faut noter que la ligne de coupe s'utilisera plus vite quand elle soit utilisée sur des surfaces abrasives ou dans une croissance dense.

1. Retirer le bloc-piles.
2. Nettoyer toutes les herbes ou débris générés par la tête de coupe.
3. Mesurer 6 m (20') de la ligne de 2,4 mm (0,095") ou 7,5 m (25') de la ligne de 2 mm (0,080"). **PRÉCAUTION** : Lorsque vous remplacez la ligne, utiliser la ligne MILWAUKEE de 2 mm ou 2,4 mm (0,080" ou 0,095") de diamètre uniquement. Une autre ligne quelconque pourra réduire sa performance ou bien, endommager la taille-bordures.
4. Faire tourner le capuchon pour aligner les voyants rouges sur le capuchon avec les indicateurs rouges au-dessus des œillets.
5. Insérez la ligne à travers l'œillet et poussez à travers la tête de sorte qu'une quantité égale de la ligne s'étend de chaque œillet.
6. Commencer par enrouler la ligne en tournant le couvercle dans la direction des flèches. Continuer à faire tourner jusqu'à 102 mm (4") à 152 mm (6") de la ligne se rallongent dehors des trous des entailles dans la partie supérieure de la bobine.
9. S'assurer que la ligne exposée ne se rallonge plus que la lame de la ligne. Si la ligne exposée est trop longue, continuer à enrouler le capuchon ou le trim avant utilisation.
10. En fonctionnement normal, la ligne restante doit être éjectée de la tête de rotation pendant l'utilisation. Si une ligne reste dans la tête, ou pour supprimer une longueur de ligne à remplacer par un autre type, faire tourner la tête de coupe et pousser les languettes de verrouillage. Retirer le couvercle de la tête (2). Jeter tous les restes courts de la ligne. Remettre le couvercle dans la tête de coupe.



### Sélection de la vitesse

Utiliser le bouton de commande de vitesse pour sélectionner des vitesses faibles ou élevées. Utiliser une vitesse faible pour les tâches plus importantes où une autonomie prolongée de la batterie est nécessaire. Utiliser une vitesse élevée pour la végétation dense.



**⚠ AVERTISSEMENT** Pour minimiser les risques de blessures, portez des lunettes à coques latérales.

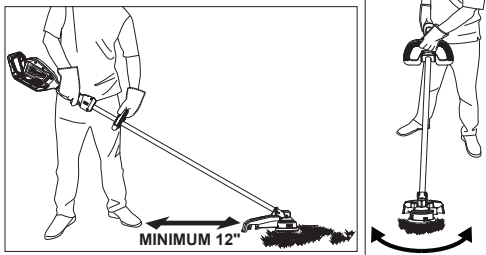
Ne pas utiliser l'outil sans que la protection soit en place. La protection doit être fixée correctement lors du taillage. L'utilisation du taille-bordures sans protection entraînera des blessures graves.

Utiliser le taille-bordures uniquement avec les deux mains. Maintenir une prise ferme. L'utilisation d'une seule main pourrait causer la perte de contrôle de l'outil et entraîner des blessures graves.

Inspecter la zone avant l'utilisation. Enlever tous les débris et les objets rigides tels que les pierres, le verre, les fils, etc. qui peuvent ricocher, être projetés ou autrement causer des blessures ou des dommages pendant l'utilisation.

### Coupe

1. Saisir l'outil fermement par les deux poignées.
2. Pour **démarrer** le taille-bordures, saisir le levier de verrouillage et appuyer sur la gâchette.
3. Pour **varier** la vitesse, augmenter ou diminuer la pression sur la gâchette. Plus la gâchette est enfoncée, plus la vitesse est élevée, jusqu'à la vitesse maximale réglée sur le bouton de commande de vitesse.
4. Orienter le taille-bordures selon un angle descendant, en gardant au moins 305 mm (12") entre la tête de coupe et toute partie du corps. Tenir le taille-bordures juste au-dessus du sol et déplacer la tête de gauche à droite.



5. **AVERTISSEMENT!** Ne pas utiliser l'outil comme un coupe-bordures. Ne pas incliner l'outil pour créer un angle droit avec le sol. Garder la tête de coupe et le fil parallèles au sol. La protection ne protège pas contre les projections de débris dans cette orientation.
6. Pour **faire sortir** le fil, le tapoter doucement contre le sol tout en maintenant une vitesse normale. **REMARQUE** : Lorsqu'il est utilisé près de surfaces abrasives ou dans une végétation dense, le fil de coupe s'use plus vite et doit être « tapoté » plus souvent.
7. Pour **arrêter** le taille-bordures, relâcher la gâchette. S'assurer que l'outil est complètement arrêté avant de le déposer.

## Conseils de coupe

- Laisser les extrémités du fil assurer la coupe.
- Le contact entre le fil et des objets rigides causera une usure supplémentaire et la rupture du fil.
- Ne pas traîner le couvercle de la bobine contre le sol et ne pas le tapoter trop fort. Tapoter la bobine uniquement contre le sol. Ne pas la tapoter contre des rochers, des voies d'accès, etc.
- Effectuer plusieurs passages dans la végétation longue.
- Éviter les arbres, arbustes et plantations décoratifs. Éviter tout contact avec les revêtements, les poteaux de clôture, etc. Ils risquent d'être endommagés par le taille-bordures.

## ENTRETIEN

**⚠ AVERTISSEMENT** Pour minimiser les risques de blessures corporelles, débranchez le chargeur et retirez la batterie du chargeur ou de l'outil avant d'y effectuer des travaux d'entretien. Ne démontez jamais l'outil, la batterie ou le chargeur. Pour toute réparation, consultez un centre de service MILWAUKEE accrédité.

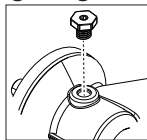
### Entretien de l'outil

Gardez l'outil en bon état en adoptant un programme d'entretien ponctuel. Inspectez votre outil pour des questions telles que le bruit excessif, de grippage des pièces mobiles, de pièces cassées ou toute autre condition qui peut affecter le fonctionnement de l'outil. Retournez votre outil à un centre de service MILWAUKEE accrédité pour obtenir le service. Après une période pouvant aller de 6 mois à un an, selon l'usage, retournez votre outil à un centre de service MILWAUKEE accrédité pour d'inspection.

Si l'outil ne démarre pas ou ne fonctionne pas à pleine puissance alors qu'il est branché sur une batterie complètement chargée, nettoyez les points de contact entre la batterie et l'outil. Si l'outil ne fonctionne toujours pas correctement, renvoyez l'outil, le chargeur et la batterie à un centre de service MILWAUKEE accrédité.

### Lubrification du carter d'engrenages

Après environ 50 heures d'utilisation, le carter d'engrenages doit être lubrifié pour augmenter les performances et prolonger la durée de vie de l'outil. Placer la tête de coupe sur le côté et retirer la vis à tête hexagonale. Ajouter jusqu'à 10 g de graisse de Type Y (Cat. N° 49-08-5270) dans la cavité. Ne pas trop remplir. Réinstaller la vis à tête hexagonale et serrer fermement.



### Entretien du fil

Ranger le fil supplémentaire dans un sac plastique scellé avec une cuillère à soupe d'eau pour éviter qu'il ne sèche ou se fissure. Aiguiser régulièrement le coupe-fil pour s'assurer que le fil ne dépasse pas trop de la bobine, ce qui peut entraîner une surcharge du moteur.

**⚠ AVERTISSEMENT** Pour minimiser les risques de blessures ou de dommages à l'outil, n'immergez jamais l'outil, la batterie ou le chargeur et ne laissez pas de liquide s'y infiltrer.

## Nettoyage

Débarrassez les événements des débris et de la poussière. Gardez les poignées propres, à sec et exempts d'huile ou de graisse. Le nettoyage doit se faire avec un linge humide et un savon doux. Certains nettoyants tels l'essence, la térébenthine, les diluants à laque ou à peinture, les solvants chlorés, l'ammoniaque et les détergents d'usage domestique qui en contiennent pourraient détériorer le plastique et l'isolation des pièces. Ne laissez jamais de solvants inflammables ou combustibles auprès des outils.

## Réparations

Pour les réparations, retournez outil, batterie et chargeur en entier au centre-service le plus près.

## ACCESOIRES

**AVERTISSEMENT** L'utilisation d'autres accessoires que ceux qui sont spécifiquement recommandés pour cet outil peut comporter des risques.

Pour une liste complète des accessoires, visiter le site internet [www.milwaukeeetool.com](http://www.milwaukeeetool.com) ou contactez un distributeur.

## ACCESOIRES

**AVERTISSEMENT** L'utilisation d'autres accessoires que ceux qui sont spécifiquement recommandés pour cet outil peut comporter des risques.

Pour une liste complète des accessoires, visiter le site internet [www.milwaukeeetool.com](http://www.milwaukeeetool.com) ou contactez un distributeur.

## SERVICE - CANADA

**Milwaukee Tool (Canada) Ltd**

**1.800.268.4015**

Monday-Friday, 7:00 AM - 4:30 PM CST

[www.milwaukeeetool.ca](http://www.milwaukeeetool.ca)

## GARANTIE LIMITÉE - AUX ÉTATS-UNIS ET AU CANADA

Chaque équipement électrique d'extérieur\* de MILWAUKEE (voir exceptions ci-dessous) est garanti à l'acheteur d'origine uniquement pour être exempt de vices de matériaux et de fabrication. Sous réserve de certaines exceptions, MILWAUKEE réparera ou remplacera toute pièce d'un équipement électrique d'extérieur qui, après examen par MILWAUKEE, s'est avéré être affecté d'un vice de matériau ou de fabrication et ce pendant une période de trois (3) ans à compter de la date d'achat, sauf indication contraire. Retourner l'équipement électrique d'extérieur, à un centre de réparations en usine MILWAUKEE ou à un poste d'entretien agréé MILWAUKEE, en port prépayé et assuré. Une copie de la preuve d'achat doit être présentée avec le produit retourné. Cette garantie ne couvre pas les dommages que MILWAUKEE détermine être causés par des réparations ou des tentatives de réparation par quiconque autre que le personnel agréé par MILWAUKEE, ou par des utilisations incorrectes, des altérations, des utilisations abusives, une usure normale, une carence d'entretien ou des accidents.

Usure normale : Plusieurs équipements électriques d'extérieur requièrent un remplacement et un entretien périodique de leurs pièces pour un meilleur rendement. Cette garantie ne couvre pas la réparation des pièces due à l'utilisation normale de l'outil, y compris, mais sans s'y limiter, la tête de coupe, la bobine, les fils de coupe, les lames, les fils, les chaînes, les tubes de soufflage, les joints toriques, et les joints.

\* Cette garantie ne s'applique pas aux blocs-piles sans fil ou au produit résiné. Il existe des garanties séparées distinctes pour ces produits. MILWAUKEE n'assume aucun frais de transport ou de main d'œuvre liés à l'inspection et à la vérification des équipements électriques d'extérieur qui, de l'avis de MILWAUKEE, ne donnent pas droit à une réclamation au titre de la garantie. Pour être admissible, une réclamation au titre de la garantie doit être justifiée par un vice du matériau ou de fabrication découvert par MILWAUKEE.

L'ACCEPTATION DES RECOURS EXCLUSIFS DE RÉPARATION ET DE REMPLACEMENT DÉCRITS DANS LES PRÉSENTES EST UNE CONDITION DU CONTRAT D'ACHAT DE TOUT PRODUIT MILWAUKEE. SI VOUS N'ACCEPTÉZ PAS CETTE CONDITION, VOUS NE DEVEZ PAS ACHETER LE PRODUIT. EN AUCUN CAS, MILWAUKEE NE SAURAIT ÊTRE RESPONSABLE DE TOUT DOMMAGE ACCESSOIRE, SPÉCIAL OU INDIRECT, DE DOMMAGES-INTÉRÊTS PUNITIFS OU DE TOUTE DÉPENSE, D'HONORAIRES D'AVOCATS, DE FRAIS, DE PERTE OU DE DÉLAIS ACCESSOIRES À TOUT DOMMAGE, DÉFAILLANCE OU DÉFAUT DE TOUT PRODUIT, Y COMPRIS NOTAMMENT LES PERTES DE PROFIT. CERTAINS ÉTATS ET PROVINCES NE PERMETTANT L'EXCLUSION OU LA LIMITATION DES DOMMAGES DIRECTS OU INDIRECTS, LES RESTRICTIONS CI-DESSUS PEUVENT NE PAS ÊTRE APPLICABLES. CETTE GARANTIE EST EXCLUSIVE ET REMPLACE TOUTE AUTRE GARANTIE EXPRESSE, QU'ELLE SOIT VERBALE OU ÉCRITE, DANS LA MESURE PERMISE PAR LA LOI. MILWAUKEE RENONCE À TOUTE GARANTIE IMPLICITE, Y COMPRIS, MAIS SANS S'Y LIMITER, TOUTE GARANTIE IMPLICITE DE QUALITÉ MARCHANDE OU D'ADAPTATION À UNE UTILISATION OU À UNE FIN PARTICULIÈRE, DANS LA MESURE OU UNE TELLE STIPULATION D'EXONÉRATION N'EST PAS PERMISE PAR LA LOI, LA DURÉE DE CES GARANTIES IMPLICITES EST LIMITÉE À LA PÉRIODE APPLICABLE DE LA GARANTIE EXPRESSE, TEL QUE CELA EST DÉCRIT PRÉCÉDEMMENT. CERTAINS ÉTATS ET PROVINCES NE PERMETTANT PAS DE LIMITATION DE DURÉE DES GARANTIES IMPLICITES, LES RESTRICTIONS CI-DESSUS PEUVENT DONC NE PAS VOUS ÊTRE APPLICABLES. LA PRÉSENTE VOUS CONFÈRE DES DROITS LÉGAUX PARTICULIERS; VOUS BÉNÉFICIEZ ÉGALEMENT D'AUTRES DROITS QUI VARIENT D'UN ÉTAT À UN AUTRE. Cette garantie s'applique aux produits vendus aux États-Unis et au Canada uniquement.

Veillez consulter la rubrique Centre SAV Milwaukee, dans la section Pièces et Services du site Web de MILWAUKEE, à l'adresse [www.milwaukeeetool.com](http://www.milwaukeeetool.com), ou composer le 1-800-SAWDUST (1-800-729-3878) afin de trouver le centre de service de votre région le plus proche pour l'entretien, sous garantie ou non, de votre outil électrique Milwaukee.

## GARANTIE LIMITÉE - MEXIQUE, AMÉRIQUE CENTRALE ET CARAÏBES

TECHTRONIC INDUSTRIES' garantit le produit pendant 3 ans à partir de la date d'achat d'origine. Le présent bon de garantie couvre tous les vices de matériau et de fabrication que peut afficher cet outil électrique. Pour assurer la validité de la présente garantie, veuillez présenter le bon de commande, estampillé du sceau du distributeur ou du magasin où le produit a été acheté, au centre de réparations agréé. Si le bon de commande n'a pas été estampillé, veuillez fournir la preuve d'achat d'origine au centre de réparations agréé. Pour un entretien, des pièces, des accessoires ou d'autres composants, composer sans frais le 1-800-832-1949 afin d'obtenir les coordonnées du centre de réparations agréé le plus près.

Procédure pour assurer la validité de la garantie  
Présenter le produit au centre de réparations agréé, accompagné du bon de commande estampillé du sceau du distributeur ou du magasin où le produit a été acheté. Toute pièce défectueuse ou tout composant défectueux sera remplacé sans frais. Milwaukee assume tous les frais de transport liés à ce processus de garantie.

Exceptions

La garantie ne s'applique pas dans les situations suivantes :

- Si le produit a été utilisé pour une fin autre que celle indiquée dans le guide de l'utilisateur final ou le manuel d'instructions.
- Si les conditions d'utilisations ne sont pas habituelles.
- Si le produit a été modifié ou réparé par une personne non autorisée par TECHTRONIC INDUSTRIES.

Note : Si le cordon électrique est endommagé, il doit être remplacé par un centre de réparations agréé pour éviter les risques d'électrocution.

CENTRE DE RÉPARATIONS ET DE SERVICE:  
Av Presidente Mazarik 29 Piso 7, 11560 Polanco V Sección Miguel Hidalgo, Distrito Federal, Mexico  
Ph. 52 55 4160-3547

IMPORTÉ ET COMMERCIALISÉ PAR :  
TECHTRONIC INDUSTRIES MEXICO, S.A. DE C.V.  
Av Presidente Mazarik 29 Piso 7, 11560 Polanco V Sección Miguel Hidalgo, Distrito Federal, Mexico

Modèle : \_\_\_\_\_

Date d'achat : \_\_\_\_\_

Sceau du distributeur ou du magasin : \_\_\_\_\_

## ADVERTENCIAS DE SEGURIDAD GENERALES PARA LA HERRAMIENTA ELÉCTRICA

**▲ ADVERTENCIA** Lea todas las advertencias de seguridad, instrucciones, ilustraciones y especificaciones con esta herramienta eléctrica. Si no sigue todas las advertencias e instrucciones, se pueden provocar una descarga eléctrica, un incendio o lesiones graves. Guarde todas las advertencias e instrucciones para consultarlas en el futuro. El término "herramienta eléctrica" en todas las advertencias incluidas más abajo se refiere a su herramienta operada por conexión (cable) a la red eléctrica o por medio de una batería (inalámbrica).

### SEGURIDAD EN EL ÁREA DE TRABAJO

- **Mantenga el área de trabajo limpia y bien iluminada.** Las áreas desordenadas u oscuras son propicias para los accidentes.
- **No utilice herramientas eléctricas en atmósferas explosivas, tales como en presencia de líquidos, gases o polvos inflamables.** Las herramientas eléctricas generan chispas que pueden encender el polvo o los vapores.
- **Mantenga a los niños y a los espectadores alejados mientras utiliza una herramienta eléctrica.** Las distracciones pueden ocasionar la pérdida de control.
- **No permita que se utilice como juguete. Debe prestarse atención cuando lo usen niños o cerca de ellos.** Almacene las herramientas eléctricas que no use fuera del alcance de los niños y no permita que operen esta herramienta eléctrica las personas que no conocen las herramientas eléctricas o estas instrucciones. Las herramientas eléctricas son peligrosas en manos de usuarios no capacitados.
- **No use la herramienta cerca de algo que esté quemándose o con humo** como cigarrillos, fósforos o cenizas calientes.
- **A fin de reducir el riesgo a la salud por vapores o polvo, no use la herramienta cerca de materiales tóxicos, cancerígenos u otros peligrosos,** como asbesto, arsénico, bario, berilio, plomo, pesticidas u otros materiales perjudiciales para la salud.

### SEGURIDAD ELÉCTRICA

- **No exponga las herramientas eléctricas a la lluvia o condiciones húmedas. No sumerja en agua o salpique con una manguera. No limpie con una limpiadora a presión.** El agua que entre a la herramienta eléctrica aumentará el riesgo de choque eléctrico. Guarde la herramienta en el interior.

### SEGURIDAD PERSONAL

- **Manténgase alerta, atento a lo que está haciendo y utilice el sentido común al utilizar una herramienta eléctrica. No utilice una herramienta eléctrica mientras está cansado o bajo la influencia de drogas, alcohol o medicamentos.** Un momento de distracción al utilizar herramientas eléctricas puede ocasionar lesiones personales graves.
- **Siempre use protección para los ojos. El uso de esta herramienta puede resultar en que salten objetos extraños hacia los ojos, lo que puede lesionar los ojos.**
- **Use un cubrebocas o mascarilla contra polvo** al trabajar en situaciones con polvo. Las partículas de polvo pueden dañar sus pulmones.

- **Utilice equipo de protección personal.** El equipo de protección tal como auditivo, ropa protectora y zapatos antiderrapantes, si es utilizado en las condiciones adecuadas, reducirá el riesgo de accidentes personales.
- **Vista adecuadamente. No utilice ropa suelta o joyas. Mantenga su cabello y ropa lejos de las piezas móviles.** La ropa suelta, joyas o el cabello largo pueden quedar atrapados en las partes móviles.
- **Evite el arranque accidental. Asegúrese de que el interruptor esté en la posición de apagado antes de conectarlo a una fuente de poder y/o batería, levantar o trasladar la herramienta.**
- **Trasladar herramientas con el dedo en el interruptor o energizar herramientas eléctricas que tienen el interruptor encendido propicia accidentes.**
- **Utilice la herramienta eléctrica, accesorios, etc. de acuerdo con estas instrucciones, teniendo en cuenta las condiciones de trabajo y el trabajo a llevar a cabo.** El uso de la herramienta eléctrica para operaciones diferentes a las destinadas puede resultar en una situación peligrosa.
- **No estire el cuerpo demasiado. Mantenga un buen contacto entre los pies y el suelo y mantenga el equilibrio en todo momento.** Esto permite un mejor control de la herramienta eléctrica en situaciones inesperadas.
- **No permita que la familiaridad por el uso frecuente de las herramientas lo hagan sentirse seguro e ignorar los principios de seguridad de las herramientas.** Un descuido puede provocar lesiones graves en una fracción de segundo.

### USO Y CUIDADO DE LAS HERRAMIENTAS ELÉCTRICAS

- **No fuerce la herramienta eléctrica. Utilice la herramienta eléctrica correcta para su aplicación.** La herramienta eléctrica correcta realizará el trabajo mejor y con mayor seguridad a la velocidad para la que fue diseñada.
- **Utilice la herramienta sólo como se describe en este manual.** Utilice solamente los aditamentos recomendados por el fabricante.
- **No utilice la herramienta eléctrica si el interruptor no la enciende y la apaga.** Cualquier herramienta eléctrica que no pueda controlarse con el interruptor es peligrosa y debe repararse.
- **Desconecte el enchufe de la fuente de energía y/o quite la batería de la herramienta eléctrica, si es posible, antes de realizar cualquier ajuste, cambiar accesorios o almacenar las herramientas eléctricas.** Tales medidas preventivas de seguridad disminuyen el riesgo de que la herramienta eléctrica se encienda accidentalmente.
- **Almacene las herramientas eléctricas que no se estén utilizando fuera del alcance de los niños y no permita que personas que no estén familiarizadas con la herramienta eléctrica o con estas instrucciones la utilicen.** Las herramientas eléctricas son peligrosas en manos de usuarios sin capacitación.
- **Dé mantenimiento a las herramientas eléctricas y accesorios. Verifique que no haya desalineación, amarre de partes móviles, partes rotas o alguna otra condición que pueda afectar el funcionamiento de la herramienta eléctrica. Si se daña, asegúrese de que la herramienta eléctrica sea reparada antes de que se utilice.** Muchos accidentes son ocasionados por herramientas eléctricas con mantenimiento deficiente.

• **Utilice la herramienta eléctrica, accesorios, etc. de acuerdo con estas instrucciones, teniendo en cuenta las condiciones de trabajo y el trabajo a llevar a cabo.** El uso de la herramienta eléctrica para operaciones diferentes a las destinadas puede resultar en una situación peligrosa.

• **Mantenga las empuñaduras y ñas superficies de sujeción secas, limpias y libres de aceite y grasa.** Las empuñaduras y superficies de sujeción resbalosas no permiten el manejo y control seguros de la herramienta en situaciones inesperadas.

## USO Y CUIDADO DE LAS HERRAMIENTAS CON BATERÍA

• **Retire las baterías de la herramienta eléctrica antes de hacer cualquier ajuste, cambio de accesorios, almacenamiento o cualquier momento en que la herramienta eléctrica no esté en uso.** Dichas medidas preventivas de seguridad reducen el riesgo de encender la herramienta eléctrica accidentalmente.

• **Apague la herramienta eléctrica antes de retirar las baterías.**

• **No manipule las baterías, la herramienta o el cargador (incluyendo el conector del cargador y sus terminales) con las manos mojadas.**

• **Antes de utilizar las baterías o el cargador, lea los manuales del operador, y cualquier etiqueta en las baterías, cargador y herramienta.**

• **Recargue únicamente con el cargador especificado por el fabricante.** Un cargador que es adecuado para un tipo de batería puede crear un riesgo de incendio si se utiliza con otra batería.

• **Utilice las herramientas eléctricas únicamente con baterías específicamente diseñadas.** El uso de cualquier otra batería puede producir un riesgo de lesiones e incendio.

• **Cuando la batería no esté en uso, manténgala alejada de otros objetos metálicos como sujetapapeles, monedas, llaves, clavos, tornillos u otros objetos metálicos pequeños que puedan formar una conexión de una terminal a otra.** Crear un corto entre las terminales de la batería puede ocasionar quemaduras o un incendio.

• **Bajo condiciones de maltrato, el líquido puede ser expulsado de la batería, evite el contacto.** En caso de contacto accidental, lave con agua. Si el líquido entra en contacto con los ojos, busque además ayuda médica. El líquido expulsado de la batería puede causar irritación o quemaduras.

• **No use una batería o herramienta que se haya dañado o modificado.** Las baterías dañadas o modificadas pueden mostrar un comportamiento impredecible, causando incendios, explosión o riesgo de lesión.

• **No exponga una batería o herramienta al fuego o a temperatura excesiva.** La exposición a fuego o temperatura a más de 130° C (265° F) puede causar explosiones.

• **Siga todas las instrucciones de carga y no cargue la batería o la herramienta fuera del rango de temperatura especificado en las instrucciones.** La carga incorrecta o a temperaturas fuera del rango especificado puede dañar la batería y aumentar el riesgo de incendio.

## MANTENIMIENTO

• **Lleve su herramienta eléctrica a servicio con un técnico calificado que use únicamente piezas de reemplazo idénticas.** Esto asegurará que la seguridad de la herramienta eléctrica se mantenga.

• **Nunca dé servicio a baterías dañadas.** Únicamente el fabricante o proveedores de servicio autorizados deben dar servicio a las baterías.

## REGLAS ESPECIFICAS DE SEGURIDAD PARA BORDEADORA DE HILO

• **Mantenga a la gente alrededor a una distancia de por lo menos 15 m (50') durante el uso.** Los objetos pueden salir volando o rebotar en todas direcciones.

• **Prepárese en caso de movimiento inesperado cuando haya contacto con un objeto sólido.** La pérdida de control puede resultar en lesiones graves.

• **No use cuchillas o ruedas cortadoras de materiales, accesorios o aditamentos que no sean los que recomienda MILWAUKEE.** Podría sufrir lesiones graves o se puede dañar el producto.

• **No opere la herramienta sin el protector en su sitio.** El protector debe estar sujetado correctamente a la hora de bordear. Operar la bordeadora sin el protector causará lesiones graves.

• **No utilice la herramienta con el cabezal de la bordeadora dañado.** Las piezas cuarteadas o rotas pueden salir volando.

• **No utilice la herramienta sin el mango frontal en su sitio.** El mango frontal debe estar sujeto correctamente para su uso para bordear. El uso con una sola mano puede causar pérdida de control y resultar en lesiones graves.

• **Cargar la bordeadora por el mango frontal.** El manejo correcto de la bordeadora evitará lesiones.

• **Use ambas manos al operar la bordeadora.** Sostenga con firmeza. Usar una mano puede causar la pérdida de control y resultará en lesiones graves.

• **Inspeccione el área antes de usarse.** Retire todos los desperdicios y objetos duros como rocas, vidrio, alambre, etc. que puedan volar, rebotar o causar lesiones o daños durante la operación.

• **Mantenga la cara, manos y pies alejados de la línea de rotación todo el tiempo.** La línea de rotación puede causar graves laceraciones.

• **Los objetos lanzados pueden rebotar de superficies duras, tales como paredes, árboles, y rocas y causar daños.** Si es posible haga el bordeado a mano en áreas cerradas.

• **Cuando remplace la línea, utilice solamente línea de monofilamento de 2 mm (0,080") o trenzado de 2,4 mm (0,095") de diámetro.** Cualquier otro tamaño puede disminuir el desempeño o causar daño a la bordeadora.

• **Sea cuidadoso al bordear alrededor de plantas decorativas y otros obstáculos.** La línea de rotación cortará/dañará muchos materiales.

• **Siempre apague la herramienta entre cortes o al transportarla de una ubicación a otra.** No cargue la herramienta con el dedo en el accionador. El encendido accidental puede causar lesiones graves personales.

• **No use la herramienta como orilladora.** No incline la herramienta para crear un ángulo recto con el suelo. Mantenga el cabezal de la bordeadora y línea paralela al suelo. El protector no puede proteger contra desperdicios que vuelen en esta orientación.

• **Conservar las etiquetas y las placas nominales.** Contienen información importante. Si son ilegibles o no están presentes, comuníquese con un centro de servicio MILWAUKEE para obtener un reemplazo gratuito.











**ADVERTENCIA** Algunos polvos generados por el lijado eléctrico, aserrado, pulido, taladrado y otras actividades de construcción contienen químicos identificados como causantes de cáncer, defectos congénitos u otros daños reproductivos. Algunos ejemplos de estos químicos son:

- plomo de pintura basada en plomo
- dióxido de silicio de los ladrillos y el cemento y otros productos de albañilería y
- arsénico y cromo de madera con tratamiento químico.

Su riesgo por estas exposiciones varía, dependiendo de la frecuencia con que realice este tipo de trabajo. Para reducir su exposición a estos químicos: trabaje en un área bien ventilada y trabaje con equipo de seguridad aprobado, como mascarillas protectoras contra polvo especialmente diseñadas para filtrar partículas microscópicas.

# LEA Y GUARDE ESTAS INSTRUCCIONES PARA USO FUTURO

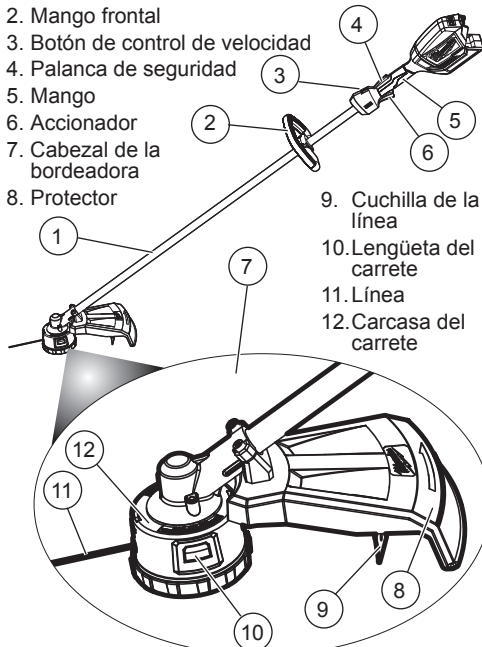
## SIMBOLOGÍA

-  Volts
-  Corriente continua
- $n_r$  XXXX min<sup>-1</sup> Revoluciones por minuto sin carga (RPM)
-  Símbolo de alerta de seguridad
-  Lea el manual del operador
-  Siempre use protectores de ojos y de oídos.
-  Siempre use guantes y equipo de protección personal.
-  Siempre use ropa y calzado de protección.
-  Mantenga a la gente de alrededor a una distancia de 15 m (50') durante el uso.
-  Los objetos pueden salir volando o rebotar en todas direcciones.
-  No lo use cuando llueva o en lugares mojados.
-  No use las cuchillas o ruedas cortadoras de matorrales.
-  UL Listing Mark para Canadá y Estados Unidos

## ESPECIFICACIONES

Cat. No.....	2725-20
Volts.....	18 CD
Tipo de batería .....	M18™
Tipo de cargador .....	M18™
RPM.....	0 - 4 600 / 0 - 5 800
Línea de corte.....	espiral de 7,6 m (25') x 2 mm (0,080")
.....	espiral de 6,1 m (20') x 2,4 mm (0,095")
Línea de reemplazo 2 mm (0,080").....	49-16-2712
2,4 mm (0,095").....	49-16-2713

## DESCRIPCION FUNCIONAL

1. Tubo de la bordeadora
  2. Mango frontal
  3. Botón de control de velocidad
  4. Palanca de seguridad
  5. Mango
  6. Accionador
  7. Cabezal de la bordeadora
  8. Protector
  9. Cuchilla de la línea
  10. Lengüeta del carrete
  11. Línea
  12. Carcasa del carrete
- 

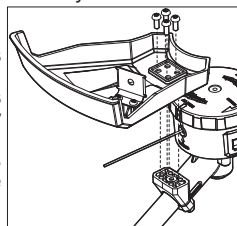
## ENSAMBLAJE

**ADVERTENCIA** No opere la herramienta sin el protector en su sitio. El protector debe estar sujetado correctamente a la hora de bordear. Operar la bordeadora sin el protector causará lesiones graves.

### Instalar el protector

El protector se envía sin instalar y debe instalarse antes de usarse.

1. Line up the guard bracket with the holes in the guard.
2. Inserte cuatro tornillos a través del protector y dentro de la ménsula.
3. Apriete los tornillos firmemente con la llave incluida.



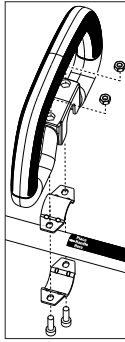


**ADVERTENCIA** No opere la herramienta sin el mango frontal en su sitio. El mango frontal debe estar sujetado correctamente a la hora de bordear. Usar una mano podría causar la pérdida de control y resultar en lesiones graves.

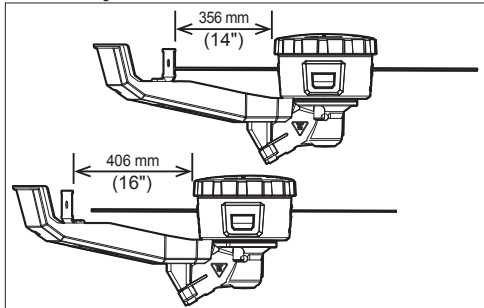
### Instalar el mango frontal

El mango frontal se envía sin instalar y **debe** instalarse antes de usarse.

1. Coloque dos tuercas en los topes del mango frontal.
2. Inserte una ménsula dentro del mango.
3. Alinee el mango frontal con la parte superior de la calcomanía de advertencia, justo arriba de la leyenda "Coloque el mango aquí" ("Place Handle Here").
4. Envuelva la otra ménsula alrededor de la parte posterior del eje.
5. Inserte dos tornillos de cabeza por la ménsula inferior y dentro del mango lateral.
6. Apriete los tornillos firmemente usando la llave incluida.



### Ajustar el diámetro de corte



Para cambiar el diámetro de corte de 356 mm (14") a 406 mm (16"):

1. Retire la batería.
2. Retire los dos tornillos que sostienen la hoja de corte de línea.
3. Rote la hoja 180° y vuelva a instalar los tornillos. Apriete firmemente.

**ADVERTENCIA** Recargue la batería sólo con el cargador especificado para ella. Para instrucciones específicas sobre cómo cargar, lea el manual del operador suministrado con su cargador y la batería.

### Como se inserta/quita la batería en la herramienta

Para **retirar** la batería, presione los botones de liberación y jale de la batería para sacarla de la herramienta.

**ADVERTENCIA** Para reducir el riesgo de lesiones, extraiga siempre la batería antes de acoplar o desacoplar accesorios.

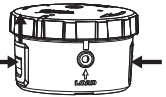
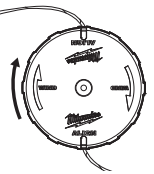
Para **introducir** la batería, deslícela en el cuerpo de la herramienta. Asegúrese de que quede bien firme en su posición.

**ADVERTENCIA** No use cu-chillas, ruedas cortadoras de matorrales, accesorios o aditamentos que no sean los que recomienda MILWAUKEE. Podría sufrir lesiones graves o se puede dañar el producto.

### Reemplazar la línea de corte

Use únicamente la línea de la bordeadora MILWAUKEE (ver Especificaciones). Reemplace la línea de corte con 6 m (20') de línea de 2,4 mm (0,095") o 7,5 m (25') de línea de 2 mm (0,080"). Nota: cuando se usa cerca de superficies abrasivas o en crecimiento denso, la línea de corte se desgastará más rápido.

1. Extraiga la batería.
2. Limpie cualquier pasto o desperdicio de la cabeza de la bordeadora.
3. Mida 6 m (20') de línea de 2,4 mm (0,095") o 7,5 m (25') de línea 2 mm (0,080"). **PRECAUCIÓN:** al reemplazar la línea, use únicamente una línea MILWAUKEE de 2 mm o 2,4 mm (,080" o ,095") de diámetro. Cualquier otra línea puede degradar el desempeño o dañar la bordeadora.
4. Gire la tapa para alinear los indicadores rojos en la tapa con los indicadores rojos por encima de los ojales.
5. Inserte la línea a través de ojales y empuje a través de la cabeza por lo que una cantidad igual de línea se extiende desde cada ojal.
6. Empiece por bobinar la línea girando la cubierta en dirección de las flechas. Continúe girando hasta que se extiendan 102 mm a 152 mm (4" a 6") de línea fuera de los agujeros en las muescas en la parte superior del carrete.
7. Revise que la línea expuesta no se extienda más allá de la hoja de la línea. Si la línea expuesta es muy larga, continúe enrollando la tapa o el guarnecido antes de usarlo.
8. Bajo operación normal, la línea restante debe ser lanzada de la cabeza giratoria durante el uso. Si alguna línea permanece en la cabeza, o para eliminar una longitud de la línea para reemplazar con un tipo diferente, voltee la cabeza de la bordeadora y oprima las pestañas de liberación. Jale la cubierta alejada de la cabeza (2). Deseche cualquier excedente de línea corta. Coloque a presión la cubierta sobre la cabeza de la bordeadora.



### Seleccionar la velocidad

Use el botón de control de velocidad para seleccionar velocidades Baja o Alta. Use velocidad baja para trabajos más grandes donde se necesita la vida extendida de la batería. Use la velocidad alta para aplicaciones de vegetación densa.



## OPERACION

**⚠ ADVERTENCIA** Para reducir el riesgo de lesiones, use siempre lentes de seguridad o anteojos con protectores laterales.

No opere la herramienta sin el protector en su sitio. El protector debe estar sujetado correctamente a la hora de bordear. Operar la bordeadora sin el protector causará lesiones graves.

Use ambas manos al operar la bordeadora. Sostenga con firmeza. Usar una mano puede causar la pérdida de control y resultará en lesiones graves.

Inspeccione el área antes de usarse. Retire todos los desperdicios y objetos duros como rocas, vidrio, alambre, etc. que puedan volar, rebotar o causar lesiones o daños durante la operación.

### Bordeado

1. Sostenga la herramienta con firmeza por ambos mangos.
2. Para **encender** la bordeadora, apriete la palanca de seguridad y jale el accionador.
3. Para **cambiar** la velocidad, aumente o disminuya la presión en el accionador. Mientras más se jale el accionador, mayor será la velocidad hasta el máximo establecido por el botón de control de velocidad.
4. Permita que la bordeadora se incline hacia abajo, manteniendo al menos 305 mm (12") entre el cabezal de la bordeadora y cualquier parte del cuerpo. Sostenga la bordeadora justo arriba del suelo y balancee el cabezal de lado a lado.



5. **¡PRECAUCIÓN!** No use la herramienta como orilladora. No incline la herramienta para crear un ángulo recto con el suelo. Mantenga el cabezal de la bordeadora y línea paralela al suelo. El protector no puede proteger contra desperdicios que vuelen en esta orientación.
6. Para **sacar** la línea, sacúdala suavemente contra el suelo mientras opere a velocidad normal. **NOTA:** cuando se usa cerca de superficies abrasivas o en vegetación densa, la línea de corte se desgastará más rápido y necesitará "sacudirse" con mayor frecuencia.
7. Para **detener** la bordeadora, libere el accionador. Asegúrese de que la herramienta se detenga por completo antes de dejar la herramienta en el suelo.

## Consejos para cortar

- Permita que los extremos de la línea hagan los cortes.
- El contacto entre la línea y los objetos sólidos causará que la línea se desgaste de más y se rompa.
- No arrastre la cubierta del carrete por el suelo ni lo sacuda muy fuerte. Solo sacuda el carrete en el suelo. No lo sacuda contra rocas, accesos, etc.
- Pase la herramienta varias veces con vegetación alta.
- Evite árboles ornamentales, arbustos y canteros. Evite el contacto con revestimientos, vallas, etc. Todos pueden dañarse con la bordeadora.

## MANTENIMIENTO

**⚠ ADVERTENCIA** Para reducir el riesgo de una lesión, desconecte siempre la herramienta antes de darle cualquier mantenimiento. Nunca desarme la herramienta ni trate de hacer modificaciones en el sistema eléctrico de la misma. Acuda siempre a un Centro de Servicio MILWAUKEE para TODAS las reparaciones.

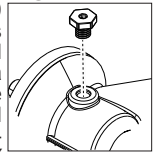
### Mantenimiento de las herramientas

Adopte un programa regular de mantenimiento y mantenga su herramienta en buenas condiciones. Inspeccione la herramienta para problemas como ruidos indebidos, desalineadas o agarrotadas de partes móviles, piezas rotas o cualquier otra condición que pueda afectar el funcionamiento de la herramienta. Envíe su herramienta al Centro de Servicio MILWAUKEE para reparación. Después de 6 meses a un año, dependiendo del uso dado, envíe su herramienta al Centro de Servicio MILWAUKEE más cercano para la inspección.

Si la herramienta no arranca u opera a toda su potencia con una batería completamente cargada, limpie, con una goma o borrador, los contactos de la batería y de la herramienta. Si aun así la herramienta no trabaja correctamente, regrésela, con el cargador y la batería, a un centro de servicio MILWAUKEE.

### Lubricación de la caja de engranes

Después de aproximadamente 50 horas de uso, la caja de engranes debe lubricarse para aumentar el rendimiento y extender la vida de la herramienta. Coloque el cabezal de la bordeadora de lado y retire el tornillo de cabeza hexagonal. Agregue hasta 10 g de grasa Tipo Y (Cat. No. 49-08-5270) a la cavidad. No llene de más. Vuelva a colocar el tornillo de cabeza hexagonal y apriete firmemente.



### Mantenimiento de la línea

Almacene la línea adicional en una bolsa de plástico sellada con una cucharada de agua para evitar que se seque o se cuarte. Afíle el cortador de la línea con frecuencia para asegurar que la línea no se extienda demasiado del carrete, lo que puede causar una sobrecarga del motor.

**⚠ ADVERTENCIA** Para reducir el riesgo de lesiones, descarga eléctrica o daño a la herramienta, nunca la sumerja en líquidos ni permita que estos fluyan dentro de la misma.

## Limpieza

Limpie el polvo y suciedad de las ventilas. Mantenga los mangos limpios, secos y libres de aceite o grasa. Use solo jabón neutro y un trapo húmedo para limpiar, ya que algunos substancias y solventes limpiadores son dañinos a los plásticos y partes aislantes. Algunos de estos incluyen: gasolina, turpentina, thinner, lacas, thinner para pinturas, solventes para limpieza con cloro, amoníaco y detergentes caseros que tengan amonía. Nunca usa solventes inflamables o combustibles cerca de una herramienta.

## Reparaciones

Si su herramienta, batería o cargador están dañados, envíela al centro de servicio más cercano.

## ACCESORIOS

**⚠️ ADVERTENCIA** Utilice sólo los accesorios específicamente recomendados. Otros accesorios puede ser peligroso.

Para una lista completa de accesorios, visite nuestro sitio en Internet: [www.milwaukeeetool.com](http://www.milwaukeeetool.com) o póngase en contacto con un distribuidor.

## SOPORTE DE SERVICIO - MEXICO

### CENTRO DE ATENCION A CLIENTES

Techronic Industries Mexico, S.A. de C.V.

Av. Presidente Masarik 29 Piso 7

11560 Polanco V Seccion

Miguel Hidalgo, Distrito Federal, México

01 (800) 030-7777 o (55) 4160-3540

Lunes a Viernes (9am a 6pm)

O contáctanos en [www.milwaukeeetool.com.mx](http://www.milwaukeeetool.com.mx)

## GARANTÍA LIMITADA - E.U.A. Y CANADÁ

Cada producto de equipos eléctricos para el exterior\* de MILWAUKEE (ver excepciones a continuación) tiene garantía solamente con el comprador original contra defectos del material y calidad. Sujeto a ciertas excepciones, MILWAUKEE reparará o reemplazará cualquier parte de un producto de equipos eléctricos para el exterior que, después de examinarse, sea determinado por MILWAUKEE que tienen material o calidad defectuoso durante un periodo de tres (3) años después de la fecha de compra a menos que se estipule lo contrario. Se requiere la devolución del equipo eléctrico para el exterior a un lugar del Centro de servicio de una fábrica MILWAUKEE o Estación de servicio autorizado MILWAUKEE, con el flete pagado por anticipado y asegurado. Deberá incluirse una copia del comprobante de compra con la devolución del producto. Esta garantía no aplica a daños que MILWAUKEE determine provengan de reparaciones o intentos de reparaciones realizados por alguien que no sea personal autorizado de MILWAUKEE, por mal uso, alteraciones, abuso, deterioro normal, falta de mantenimiento o accidentes.

Deterioro normal: muchos productos de equipos eléctricos para el exterior necesitan reemplazo de partes y servicio periódico para lograr su mejor rendimiento. Esta garantía no cubre la reparación cuando el uso normal ha agotado la vida de una parte incluyendo, pero sin limitarse, al cabezal de la bordeadora, el carrete del cabezal de la bordeadora, las líneas de corte, cuchillas, líneas, cadenas, tubos de soplado, cepillos, juntas tóricas y sellos.

\*Esta garantía no cubre las Baterías inalmbricas o un Producto recondicionado. Existen garantías separadas y distintas disponibles para estos productos.

MILWAUKEE no cubre los cargos de fletes o mano de obra asociados con la inspección y pruebas de los productos de equipos eléctricos para el exterior, que MILWAUKEE determine que no sean sujetos a validación de garantía. Una validación de garantía debe estar respaldada por el descubrimiento de material o calidad defectuoso por parte de MILWAUKEE.

LA ACEPTACION DE LAS SOLUCIONES EXCLUSIVAS DE REPARACION Y REEMPLAZO DESCRITAS EN LA PRESENTE ES UNA CONDICION DEL CONTRATO POR LA COMPRA DE CUALQUIER PRODUCTO MILWAUKEE. SI NO ACEPTA ESTA CONDICION, NO DEBE COMPRAR EL PRODUCTO. BAJO NINGUNA CIRCUNSTANCIA MILWAUKEE SERÁ RESPONSABLE DE NINGÚN DAÑO INCIDENTAL, ESPECIAL, CONSECUENCIAL O PUNITIVO, O POR NINGÚN COSTO, HONORARIOS DE ABOGADOS, GASTOS, PÉRDIDAS O RETRASOS, SUPUESTOS COMO CONSECUENCIA

DE ALGÚN DAÑO A, POR FALTA DE O DEFECTO DE NINGÚN PRODUCTO INCLUYENDO, PERO SIN LIMITARSE A ALGÚN RECLAMO POR PÉRDIDA DE GANANCIAS. ALGUNOS ESTADOS NO PERMITEN LA EXCLUSIÓN O LIMITACIÓN DE DAÑOS INCIDENTALES O CONSECUENCIALES, POR LO QUE LA LIMITACIÓN O EXCLUSIÓN ANTERIOR PUEDE NO APLICAR A USTED. ESTA GARANTÍA ES EXCLUSIVA Y EN LUGAR DE TODAS LAS DEMÁS GARANTÍAS EXPRESAS, ESCRITAS U ORALES. HASTA DONDE LO PERMITA LA LEY, MILWAUKEE NIEGA CUALQUIER GARANTÍA IMPLÍCITA, INCLUYENDO SIN LIMITARSE A GARANTÍA IMPLÍCITA DE COMERCIABILIDAD O APTITUD POR UN USO O PROPÓSITO EN PARTICULAR; HASTA DONDE DICHO DESCARGO DE RESPONSABILIDAD NO SEA PERMITIDO POR LA LEY, DICHAS GARANTÍAS IMPLÍCITAS SE LIMITAN A LA DURACIÓN DE LA GARANTÍA EXPRESA APLICABLE COMO SE DESCRIBE ARRIBA. ALGUNOS ESTADOS NO PERMITEN LIMITACIONES SOBRE CUÁNTO TIEMPO DURA UNA GARANTÍA IMPLÍCITA, ASÍ QUE LA LIMITACIÓN ANTERIOR PUEDE NO APLICAR A USTED. ESTA GARANTÍA LE DA DERECHOS LEGALES ESPECIALES Y QUIZÁ TAMBIÉN TENGA OTROS DERECHOS QUE VAN A VARIAR DE ESTADO A ESTADO.

Esta garantía aplica al producto vendido solamente en EE. UU. y Canadá.

Consulte la "Búsqueda del centro de servicio" ("Service Center Search") en la sección de Partes y servicios (Parts & Services) de la página web de MILWAUKEE [www.milwaukeeetool.com](http://www.milwaukeeetool.com) o llame al 1.800.SAWDUST (1.800.729.3878) para localizar su centro de servicio más cercano para el servicio de garantía y no garantía de una herramienta eléctrica de Milwaukee.

## PÓLIZA DE GARANTÍA - VALIDA SOLO PARA MEXICO, AMÉRICA CENTRAL Y EL CARIBE

TECHTRONIC INDUSTRIES., garantiza por 3 años este producto a partir de la fecha original de compra.

Esta garantía cubre cualquier defecto que presenten las piezas, componentes y la mano de obra contenidas en este producto Para América Central y el Caribe se debe confirmar en el Centro de Servicio Autorizado el plazo de la garantía.

Para hacer efectiva la Garantía deberá presentar al Centro de Servicio Autorizado la Póliza de Garantía sellada por el establecimiento en donde adquirió el producto. Si no la tienen, podrá presentar el comprobante de compra original.

Usted puede llamar sin costo al teléfono 01 800 832 1949 o por correo electrónico a la dirección "servicio@ttigroupna.com", para ubicar el Centro de Servicio Autorizado más cercano a su domicilio, en el cual además podrá adquirir partes, componentes, consumibles y accesorios, que usted necesite.

Procedimiento para hacer válida la garantía

Acuda al Centro de Servicio con el producto y la póliza de garantía sellada por el establecimiento donde realizó la compra. Ahí se reemplazará cualquier pieza o componente defectuoso sin cargo alguno para el usuario final. La empresa se hace responsable de los gastos de transportación razonablemente erogados que se deriven del cumplimiento de la presente garantía.

Excepciones

La garantía perderá validez en los siguientes casos:

- Cuando el producto se hubiese utilizado en condiciones distintas a las normales.
- Cuando el producto no hubiese sido operado de acuerdo con el instructivo de uso que le acompaña.
- Cuando el producto hubiese sido alterado o reparado por personas no autorizadas por TECHTRONIC INDUSTRIES.

Nota: Si el cordón de alimentación es dañado, este debe ser reemplazado por el fabricante o por un Centro de Servicio Autorizado para evitar riesgo.

CENTRO DE SERVICIO Y ATENCIÓN A CLIENTES

Av Presidente Masarik 29 Piso 7, 11560 Polanco V Seccion

Miguel Hidalgo, Distrito Federal, Mexico

TEL 55 4160-3547

IMPORTADO Y COMERCIALIZADO POR:

TECHTRONIC INDUSTRIES MEXICO, S.A. DE C.V.

Av Presidente Masarik 29 Piso 7, 11560 Polanco V Seccion

Miguel Hidalgo, Distrito Federal, Mexico

Modelo: \_\_\_\_\_

Fecha de Compra: \_\_\_\_\_

Sello del Distribuidor: \_\_\_\_\_

**MILWAUKEE TOOL**  
13135 West Lisbon Road  
Brookfield, WI 53005 USA

58140064d3  
08/17

961016234-01(A)  
Printed in China