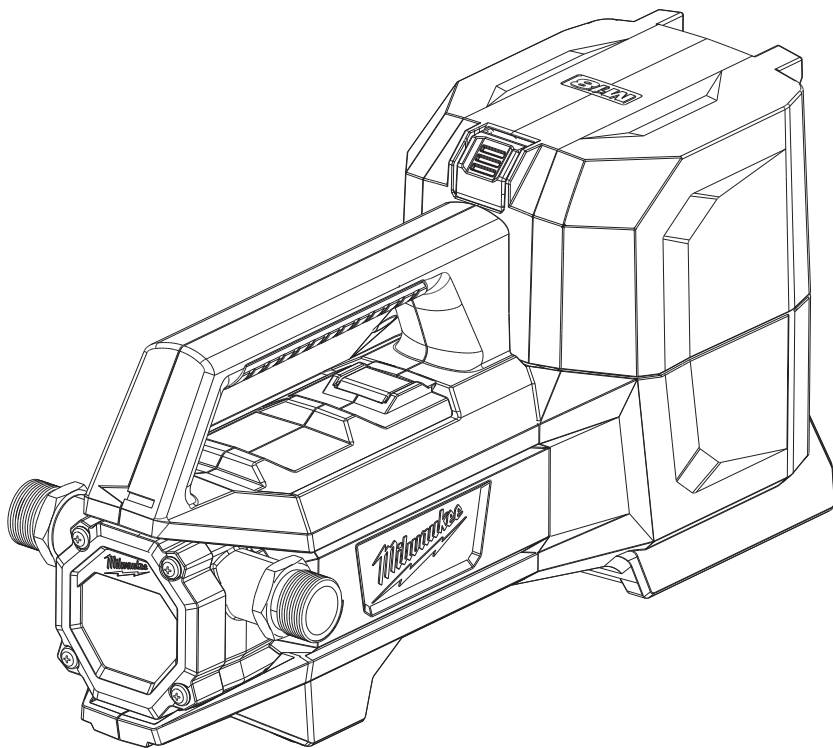




OPERATOR'S MANUAL  
MANUEL de L'UTILISATEUR  
MANUAL del OPERADOR



Cat. No. / No de cat.  
2771-20

**M18™ TRANSFER PUMP**  
**POMPE DE TRANSFERT M18™**  
**BOMBA DE TRANSFERENCIA M18™**



**WARNING** To reduce the risk of injury, user must read and understand operator's manual.

**AVERTISSEMENT** Afin de réduire le risque de blessures, l'utilisateur doit lire et bien comprendre le manuel.

**ADVERTENCIA** Para reducir el riesgo de lesiones, el usuario debe leer y entender el manual.

## GENERAL PUMP SAFETY WARNINGS

**WARNING** Read all safety warnings, instructions, illustrations and specifications provided with the pump. Failure to follow all instructions listed below may result in electric shock, fire and/or serious injury. Save all warnings and instructions for future reference.

### PUMP USE AND CARE

- Do not place pump under water or in wet areas. Place pump in dry locations only.
- Risk of Electric Shock. Do NOT connect conduit to pump.
- This pump has been evaluated for use with clear water only. It is not designated to handle salt water, brine, laundry discharge, or any other application which may contain caustic chemicals and/or foreign material. This pump is not suitable for use with aquatic life. Pump damage or failure could occur if used in these applications and will void the warranty.
- Do not pump flammable or explosive fluids such as gasoline, fuel oil, kerosene, etc. Do not use in a flammable and/or explosive atmosphere. Personal injury and/or death could result.
- Not for potable water or other potable liquids.
- Do not pump water with a temperature over 140°F (60°C). Do not pump sand, particulate, or large debris. Damage to the pump will occur.
- Do not allow pump to run dry for more than 10 seconds. Turn off pump quickly when job is complete. Damage to the pump could occur.
- Do not allow this pump to operate unattended. Failure to follow this warning could result in personal injury and/or death.
- Do not pump water from a creek, pond, or source where foreign objects may be sucked into the pump. Solids may enter the inlet hose.
- Always remove battery pack before attempting to install or service the pump. Never handle pump with wet hands or when standing on a wet or damp surface or in water. Fatal electrical shock could occur.
- Secure the discharge hose before starting the pump. An unsecured discharge hose may whip. Personal injury and/or death could result.
- Do not use the pump if the switch does not turn it on and off. Any pump that cannot be controlled with the switch is dangerous and must be repaired.
- Always remove battery pack from the pump before making any adjustments, changing accessories, or storing appliance. Such preventive safety measures reduce the risk of starting the appliance accidentally.
- Maintain pump and accessories. Check for misalignment or binding of moving parts, breakage of parts and any other condition that may affect the pump's operation. If damaged, have the pump repaired before use. Accidents can be caused by a poorly maintained pump.
- Keep handles and grasping surfaces dry, clean and free from oil and grease. Slippery handles and grasping surfaces do not allow for safe handling and control of the tool in unexpected situations.

### WORK AREA SAFETY

- Keep work area clean and well lit. Cluttered or dark areas invite accidents.
- Do not operate pump in explosive atmospheres, such as in the presence of flammable liquids,

gases or dust. Motors create sparks which will ignite the dust or fumes.

- Keep bystanders, children, and visitors away while operating pump. Distractions will result in mistakes.
- Indoor use only.

### PERSONAL SAFETY

- Stay alert, watch what you are doing and use common sense when operating this pump. Do not attempt to operate this pump while you are tired or under the influence of drugs, alcohol or medication. A moment of inattention may result in serious personal injury.
- Dress properly. Do not wear loose clothing or jewelry. Contain long hair. Keep your hair, clothing, and gloves away from moving parts. Loose clothes, jewelry, or long hair could be caught in moving parts.
- Do not overreach. Keep proper footing and balance at all times. Proper footing and balance enables better control in unexpected situations.
- Use safety equipment. Always wear eye protection. Dust mask, non-skid safety shoes and hard hat must be used for appropriate conditions.
- Do not let familiarity gained from frequent use of tools allow you to become complacent and ignore tool safety principles. A careless action can cause severe injury within a fraction of a second.

### BATTERY TOOL USE AND CARE

- Recharge only with the charger specified by the manufacturer. A charger that is suitable for one type of battery pack may create a risk of fire when used with another battery pack.
- Use pumps only with specifically designated battery packs. Use of any other battery packs may create a risk of injury and fire.
- When battery pack is not in use, keep it away from other metal objects, like paper clips, coins, keys, nails, screws or other small metal objects, that can make a connection from one terminal to another. Shorting the battery terminals together may cause burns or a fire.
- Under abusive conditions, liquid may be ejected from the battery; avoid contact. If contact accidentally occurs, flush with water. If liquid contacts eyes, additionally seek medical help. Liquid ejected from the battery may cause irritation or burns.
- Do not use a battery pack or tool that is damaged or modified. Damaged or modified batteries may exhibit unpredictable behavior resulting in fire, explosion or risk of injury.
- Do not expose a battery pack or tool to fire or excessive temperature. Exposure to fire or temperature above 265°F (130°C) may cause explosion.
- Follow all charging instructions and do not charge the battery pack or tool outside the temperature range specified in the instructions. Charging improperly or at temperatures outside the specified range may damage the battery and increase the risk of fire.

### SERVICE

- Disconnect the battery pack from pump. Release all pressure within the system before servicing any component.
- Drain all liquids from system before servicing.
- Periodically inspect pump and system components, checking for weak and/or worn hoses. Check impeller for wear or blockage. Ensure all connections are secure.

•When servicing a pump, use only identical replacement parts. Follow instructions in the Maintenance section of this manual. Use of unauthorized parts or failure to follow maintenance instructions may create a risk of electrical shock or injury and may void the warranty.

•Do not modify or attempt to repair the pump or the battery pack except as indicated in the instructions for use and care.

•Never service damaged battery packs. Service of battery packs should only be performed by the manufacturer or authorized service providers.

### ADDITIONAL SAFETY RULES

•Always use common sense and be cautious when using tools. It is not possible to anticipate every situation that could result in a dangerous outcome. Do not use this tool if you do not understand these operating instructions or you feel the work is beyond your capability; contact Milwaukee Tool or a trained professional for additional information or training.

•Maintain labels and nameplates. These carry important information. If unreadable or missing, contact a MILWAUKEE service facility for a free replacement.

•**AWARNING** Some dust created by power sanding, sawing, grinding, drilling, and other construction activities contains chemicals known to cause cancer, birth defects or other reproductive harm. Some examples of these chemicals are:

- lead from lead-based paint
- crystalline silica from bricks and cement and other masonry products, and
- arsenic and chromium from chemically-treated lumber.

Your risk from these exposures varies, depending on how often you do this type of work. To reduce your exposure to these chemicals: work in a well ventilated area, and work with approved safety equipment, such as those dust masks that are specially designed to filter out microscopic particles.

### SPECIFICATIONS

Cat. No.....	2771-20
Volts.....	18 DC
Battery Type.....	M18™
Charger Type.....	M18™
Max Flow Rate.....	8 GPM
Fittings.....	1/2" NPT male to 3/4" GHT male
Max Lift.....	18'
Max Head Height.....	75'
Application	

Max Water Temperature.....	140°F (60°C)
Max Air Temperature.....	104°F (40°C)

### SYMBOLGY



Volts



Direct Current

n, XXXX min<sup>-1</sup> No Load Revolutions per Minute (RPM)



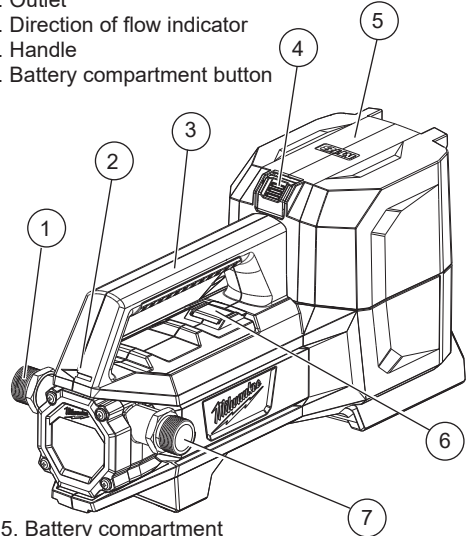
Gallons per Minute



UL Listing for Canada and U.S.

### FUNCTIONAL DESCRIPTION

1. Outlet
2. Direction of flow indicator
3. Handle
4. Battery compartment button



5. Battery compartment
6. On/Off button
7. Inlet

### ASSEMBLY

•**AWARNING** Recharge only with the charger specified for the battery. For specific charging instructions, read the operator's manual supplied with your charger and battery.

#### Removing/Inserting the Battery

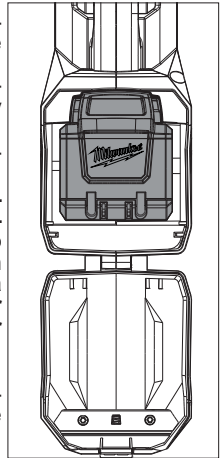
To remove the battery:

1. Press battery compartment button and open the battery compartment.
2. Push in the release buttons and pull the battery pack out of the tool.
3. Close the battery compartment securely.

•**AWARNING** Always remove battery before attempting to install, service, or maintain the pump. Never handle a pump with wet hands or when standing on wet or damp surface or in water.

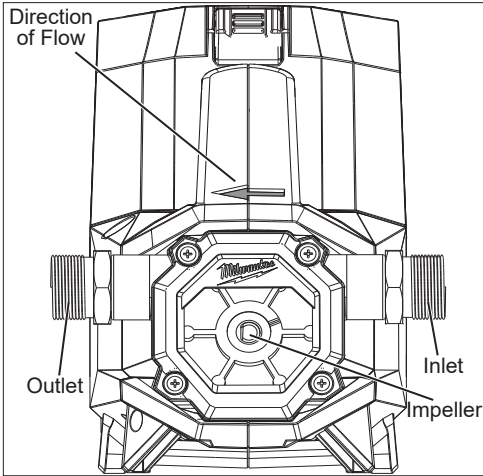
To insert the battery:

1. Press the battery compartment button and open the battery compartment.
2. Slide the pack into the tool. Make sure it latches securely into place.
3. Close the battery compartment securely.



## Inlet/Outlet Hoses

- Use hoses with 3/4" GHT female fittings.
- A heavy duty hose should be used for the inlet hose to prevent the hose from collapsing. For best results, use a short length, large diameter hose, such as a 6' long, 3/4" inner diameter garden hose. Longer or thinner hoses may reduce performance and flow rate.
- A regular garden hose may be used as an outlet hose.
- Use thread seal tape or a gasket on the inlet to create an airtight connection ensure the pump will prime.
- Make sure connections are tight.
- Small leaks in the inlet hose will **greatly** reduce suction and the efficiency of the pump, and may prevent priming.
- Thread the inlet and outlet hoses onto the pump.



## OPERATION

**WARNING** To reduce the risk of injury, always wear proper eye protection marked to comply with ANSI Z87.1.

**Always remove battery before attempting to install, service, or maintain the pump.**

**Pump should only be used to pump clear water. Do NOT pump salt water, brine, laundry discharge, or any other application which may contain caustic chemicals and/or foreign material. Do NOT pump sand particulate, or large debris. Do NOT pump fluids such as gasoline, fuel oil, or kerosene. Do NOT use in a flammable or explosive atmosphere.**

**Do not place pump under water or in wet areas. Place pump in dry locations only.**

This pump is designed for applications such as emptying water heaters, tanks, etc. The pump is not waterproof or weatherproof and is not intended to be used outdoors or inside showers, saunas or other potentially wet locations.

1. Attach inlet and outlet hoses.
2. Place inlet hose below water surface, aiming as near as possible to the middle of the water source.
3. Lay out inlet and outlet hoses to ensure there are no blockages, kinks or bends.
4. Secure outlet hose to ensure it does not whip around or move unexpectedly when pumping begins.
5. Place pump flat on it's feet for maximum stability.
6. Insert battery pack.
7. Turn on pump.
8. Keep pump inlet clean and free of all foreign objects. Inspect inlet at beginning of each use.
9. As soon as the pump begins to take in air, turn off pump.
10. Do NOT allow pump to run dry. Damage to the pump could occur. To prevent pump damage, a dry pump may shut off automatically within 60 seconds. Turn pump off to reset.
11. For best results, the pump should be no more than 18 feet above the inlet source. The maximum discharge height is 75 feet.  
**NOTE:** If anything but clear water is accidentally pumped, flush with clear water for at least 30 seconds.
12. Do not block air vents. If overload occurs, due to overheating, a jammed impeller, etc, turn off the pump immediately. Pump may shut off automatically. Clear the jam and allow the tool to cool before restarting. Turn pump off and back on to reset.
13. Do not run the pump for more than 1 hour continuously.
14. When done, remove inlet and outlet hoses and pour any excess water from the pump. To remove remaining water from pump, run pump for no more than 5 seconds. In cold situations, freezing temperatures can cause remaining water in the pump to freeze and damage the pump.

## Troubleshooting

Problem	Cause	Correction
Pump will not run	Impeller blockage.	See "Impeller Replacement/Clearing"
Flow rate is too low	Inlet/Outlet line is clogged or damaged.	Replace Inlet/Outlet line. Check lines for blockages, kinks or bends. Clear blockages.
	Inlet connection is not airtight.	Tighten inlet connection, adding teflon tape or a gasket if necessary.
	Impeller cover is not secured tightly.	Hand tighten four (4) cover screws.
	Impeller worn out.	See "Impeller Replacement/Clearing"
Pump shutdown	Dry pump shutdown	Correct situation, then turn tool off, then back on to reset.
	Locked impeller. Battery installed when pump turned on.	
Over temperature shutdown	Blocked outlet line.	Allow pump to cool.
	Outlet line too high.	Correct situation, then turn tool off, then back on to reset.
	Outlet line too long.	
	Pump ON for too long.	

## MAINTENANCE

**⚠WARNING** To reduce the risk of injury, always remove battery pack before attempting to install, service, or maintain the pump. Never disassemble the pump, battery pack or charger. Contact a MILWAUKEE service facility for ALL repairs.

### Maintaining Tool

Keep your tool, battery pack and charger in good repair by adopting a regular maintenance program. Inspect your tool for issues such as undue noise, misalignment or binding of moving parts, breakage of parts, or any other condition that may affect the tool operation. Return the tool, battery pack, and charger to a MILWAUKEE service facility for repair. After six months to one year, depending on use, return the tool, battery pack and charger to a MILWAUKEE service facility for inspection.

If the tool does not start or operate at full power with a fully charged battery pack, clean the contacts on the battery pack. If the tool still does not work properly, return the tool, charger and battery pack, to a MILWAUKEE service facility for repairs.

## Impeller Replacement/Clearing

Check the impeller for wear before each use. Clear or replace impeller if blocked or damaged.

1. Remove the four cover screws holding motor housing and pump housing together. Cover is now free and can be removed.
2. Inspect gasket and impeller for wear and damage. If there is any evidence of wear or damage, replace the parts (Cat. No. 49-16-2771).
3. Clear any debris from the gasket and impeller.
4. Reassemble gasket, cover, and cover screws.
5. Hand tighten cover screws. Do not use power tools or over tighten.
6. After extended use or when replacing the impeller, apply a small amount of silicone grease to the impeller blades for best performance.

## Storage

Never store with liquid inside the pump. To store the tool:

1. Remove inlet and outlet hoses.
2. Pour excess water from pump.
3. Run pump for no more than 5 seconds.
4. Remove battery pack.

**⚠WARNING** To reduce the risk of personal injury and damage, never immerse your tool, battery pack or charger in liquid or allow a liquid to flow inside them.

## Cleaning

Clean dust and debris from vents. Keep handles clean, dry and free of oil or grease. Use only mild soap and a damp cloth to clean, since certain cleaning agents and solvents are harmful to plastics and other insulated parts. Some of these include gasoline, turpentine, lacquer thinner, paint thinner, chlorinated cleaning solvents, ammonia, acetone, and household detergents containing ammonia. Never use flammable or combustible solvents around tools.

## Repairs

For repairs, return the tool, battery pack and charger to the nearest service center.

## ACCESSORIES

**⚠WARNING** Use only recommended accessories. Others may be hazardous.

For a complete listing of accessories, go online to [www.milwaukeetool.com](http://www.milwaukeetool.com) or contact a distributor.

## SERVICE - UNITED STATES

**1-800-SAWDUST (1.800.729.3878)**

Monday-Friday, 7:00 AM - 6:30 PM CST

or visit [www.milwaukeetool.com](http://www.milwaukeetool.com)

Contact Corporate After Sales Service Technical Support with technical, service/repair, or warranty questions.

Email: [metproductsupport@milwaukeetool.com](mailto:metproductsupport@milwaukeetool.com)

Become a Heavy Duty Club Member at [www.milwaukeetool.com](http://www.milwaukeetool.com) to receive important notifications regarding your tool purchases.



## SERVICE - CANADA

**Milwaukee Tool (Canada) Ltd**

**1.800.268.4015**

Monday-Friday, 7:00 AM - 4:30 PM CST  
or visit [www.milwaukeetool.ca](http://www.milwaukeetool.ca)

## LIMITED WARRANTY USA & CANADA

Every MILWAUKEE power tool\* (see exceptions below) is warranted to the original purchaser only to be free from defects in material and workmanship. Subject to certain exceptions, MILWAUKEE will repair or replace any part on an electric power tool which, after examination, is determined by MILWAUKEE to be defective in material or workmanship for a period of five (5) years\*\* after the date of purchase unless otherwise noted. Return of the power tool to a MILWAUKEE factory Service Center location or MILWAUKEE Authorized Service Station, freight prepaid and insured, is required. A copy of the proof of purchase should be included with the return product. This warranty does not apply to damage that MILWAUKEE determines to be from repairs made or attempted by anyone other than MILWAUKEE authorized personnel, misuse, alterations, abuse, normal wear and tear, lack of maintenance, or accidents.

**Normal Wear:** Many power tools need periodic parts replacement and service to achieve best performance. This warranty does not cover repair when normal use has exhausted the life of a part including, but not limited to, chucks, brushes, cords, saw shoes, blade clamps, o-rings, seals, bumpers, driver blades, pistons, strikers, lifters, and bumper cover washers.

\*This warranty does not cover Air Nailers & Staplers; Airless Paint Sprayer; Cordless Battery Packs; Gasoline Driven Portable Power Generators; Hand Tools; Hoist – Electric, Lever & Hand Chain; M12™ Heated Gear; Reconditioned Product; and Test & Measurement Products. There are separate and distinct warranties available for these products.

\*\*The warranty period for Job Site Radios, M12™ Power Port, M18™ Power Source, Jobsite Fan and Trade Titan™ Industrial Work Carts is one (1) year from the date of purchase. The warranty period for the Drain Cleaning Cables is two (2) years from the date of purchase. The warranty period for the M18™ Compact Heat Gun and the 8 Gallon Dust Extractor is three (3) years from the date of purchase. The warranty period for the LED in the LED Work Light and the LED Upgrade Bulb for the Work Light is the lifetime of the product subject to the limitations above. If during normal use the LED or LED Bulb fails, the part will be replaced free of charge.

Warranty Registration is not necessary to obtain the applicable warranty on a MILWAUKEE power tool product. The manufacturing date of the product will be used to determine the warranty period if no proof of purchase is provided at the time warranty service is requested. ACCEPTANCE OF THE EXCLUSIVE REPAIR AND REPLACEMENT REMEDIES DESCRIBED HEREIN IS A CONDITION OF THE CONTRACT FOR THE PURCHASE OF EVERY MILWAUKEE PRODUCT. IF YOU DO NOT AGREE TO THIS CONDITION, YOU SHOULD NOT PURCHASE THE PRODUCT. IN NO EVENT SHALL MILWAUKEE BE LIABLE FOR ANY INCIDENTAL, SPECIAL, CONSEQUENTIAL OR PUNITIVE DAMAGES, OR FOR ANY COSTS, ATTORNEY FEES, EXPENSES, LOSSES OR DELAYS ALLEGED TO BE AS A CONSEQUENCE OF ANY DAMAGE TO, FAILURE OF, OR DEFECT IN ANY PRODUCT INCLUDING, BUT NOT LIMITED TO, ANY CLAIMS FOR LOSS OF PROFITS. SOME STATES DO NOT ALLOW THE EXCLUSION OR LIMITATION OF INCIDENTAL OR CONSEQUENTIAL DAMAGES, SO THE ABOVE LIMITATION OR EXCLUSION MAY NOT APPLY TO YOU. THIS WARRANTY IS EXCLUSIVE AND IN LIEU

OF ALL OTHER EXPRESS WARRANTIES, WRITTEN OR ORAL. TO THE EXTENT PERMITTED BY LAW, MILWAUKEE DISCLAIMS ANY IMPLIED WARRANTIES, INCLUDING WITHOUT LIMITATION ANY IMPLIED WARRANTY OF MERCHANTABILITY OR FITNESS FOR A PARTICULAR USE OR PURPOSE; TO THE EXTENT SUCH DISCLAIMER IS NOT PERMITTED BY LAW, SUCH IMPLIED WARRANTIES ARE LIMITED TO THE DURATION OF THE APPLICABLE EXPRESS WARRANTY AS DESCRIBED ABOVE. SOME STATES DO NOT ALLOW LIMITATIONS ON HOW LONG AN IMPLIED WARRANTY LASTS, SO THE ABOVE LIMITATION MAY NOT APPLY TO YOU, THIS WARRANTY GIVES YOU SPECIFIC LEGAL RIGHTS, AND YOU MAY ALSO HAVE OTHER RIGHTS WHICH VARY FROM STATE TO STATE.

This warranty applies to product sold in the U.S.A. and Canada only. Please consult the 'Service Center Search' in the Parts & Service section of MILWAUKEE's website [www.milwaukeetool.com](http://www.milwaukeetool.com) or call 1.800.SAWDUST (1.800.729.3878) to locate your nearest service facility for warranty and non-warranty service on a Milwaukee electric power tool.

## LIMITED WARRANTY - MEXICO, CENTRAL AMERICA & CARIBBEAN

TECHTRONIC INDUSTRIES' warranty is for 5 years since the original purchase date.

This warranty card covers any defect in material and workmanship on this Product.

To make this warranty valid, present this warranty card, sealed/stamped by the distributor or store where you purchased the product, to the Authorized Service Center (ASC). Or, if this card has not been sealed/stamped, present the original proof of purchase to the ASC. Call toll-free 01 (800) 030-7777 to find the nearest ASC, for service, parts, accessories or components.

### Procedure to make this warranty valid

Take the product to the ASC, along with the warranty card sealed/stamped by the distributor or store where you purchased the product, and any faulty piece or component will be replaced without cost for you. We will cover all freight costs relative with this warranty process.

### Exceptions

This warranty is not valid in the following situations

- When the product is used in a different manner from the end-user guide or instruction manual.
- When the conditions of use are not normal.
- When the product was modified or repaired by people not authorized by TECHTRONIC INDUSTRIES.

**Note:** If cord set is damaged, it should be replaced by an Authorized Service Center to avoid electric risks.

SERVICE AND ATTENTION CENTER

Call to 01 (800) 030-7777

IMPORTED AND COMMERCIALIZED BY  
TECHTRONIC INDUSTRIES MEXICO, SA DE CV  
Av President Masarik #29 piso 7, Col. Polanco V Sección  
CP 11560, Deleg. Miguel Hidalgo, CDMX

**Model:** \_\_\_\_\_

**Date of Purchase:** \_\_\_\_\_

**Distributor or Store Stamp:** \_\_\_\_\_

## AVERTISSEMENTS DE SÉCURITÉ GÉNÉRAUX RELATIFS AUX POMPES

**▲ AVERTISSEMENT** Consulter tous les avertissements de sécurité et toutes les instructions, les illustrations et les spécifications fournies avec la pompe. Ne pas suivre l'ensemble des instructions décrites ci-dessous peut entraîner une électrocution, un incendie ou des blessures graves. **Conserver les avertissements et les instructions à des fins de référence ultérieure.**

### UTILISATION ET ENTRETIEN DE LA POMPE

- **Ne pas placer la pompe sous l'eau ou dans des zones humides. Placer la pompe dans des endroits secs seulement.**
- **Risque de décharge électrique. NE PAS connecter le conduit à la pompe.**
- **La pompe a été éprouvée pour utilisation avec de l'eau Claire seulement. Esta bomba no está diseñada para manejar agua salada, salmuera, descargas de lavado, ni demás usos que pudieran contener productos químicos cáusticos, y/o materiales extraños. Esta bomba no es adecuada para usarla con la vida acuática. Si se usa en estas aplicaciones, la bomba puede dañarse o fallar y se anulará la garantía.**
- **Ne pas pomper des liquides inflammables ou explosifs tels que l'essence, le mazout, le kérosène, etc. Ne pas utiliser dans une atmosphère inflammable ou explosible.** Cela peut entraîner des blessures, voire la mort.
- **Pas pour l'eau potable ou d'autres liquides alimentaires.**
- **Ne pas pomper l'eau à une température supérieure à 60 °C (140 °F). Ne pas pomper du sable, des particules ou de gros débris.** Cela endommagera la pompe.
- **Ne pas laisser la pompe fonctionner à sec pendant plus de 10 secondes. Mettre la pompe hors tension rapidement une fois que le travail est terminé.** Cela pourrait endommager la pompe.
- **Ne pas laisser cette pompe fonctionner sans surveillance.** Le non-respect de cet avertissement pourrait entraîner des blessures, voire la mort.
- **Ne pas pomper à partir d'un ruisseau, un étang ou une source où des corps étrangers peuvent être aspirés dans la pompe.** Matières solides peuvent entrer dans le tuyau d'arrivée.
- **Toujours retirer le bloc de batteries avant de tenter d'installer ou de réparer la pompe.** Ne jamais manipuler la pompe avec les mains mouillées ou en se tenant debout sur une surface mouillée, humide ou dans l'eau. Une décharge électrique mortelle pourrait se produire.
- **Fixer la conduite de refoulement avant de démarrer la pompe.** Une conduite de refoulement non fixée sous pression risque de fouetter. Cela peut entraîner des blessures, voire la mort.
- **Ne pas utiliser pompe si le commutateur ne permet pas de le mettre en marche ou de l'arrêter.** Pompe qui ne peut pas être contrôlé par son commutateur est dangereux et doit être réparé.
- **Toujours retirer le bloc de batteries avant d'effectuer des réglages, de changer d'accessoire ou de remiser l'appareil.** De telles mesures préventives de sécurité réduisent le risque de démarrage accidentel de l'appareil.

- **Entretien des pompe et les accessoires.** Vérifier qu'aucune pièce mobile n'est mal alignée ou bloquée, qu'aucune pièce n'est brisée et s'assurer qu'aucun autre problème risque d'affecter le bon fonctionnement de pompe. En cas de dommages, faire pomper éparer avant de l'utiliser. Beaucoup d'accidents sont causés par des pompes mal entretenus.
- **Garder les poignées et les surfaces de saisie sèches, propres et libres de dépôt d'huile ou de graisse.** Les poignées et les surfaces de saisie glissantes ne permettent pas la manipulation et le contrôle en toute sécurité de l'outil dans des situations inattendues.

### SÉCURITÉ AU TRAVAIL

- **Garder l'aire de travail propre et bien éclairée.** Le désordre et le manque de lumière favorisent les accidents.
- **Ne pas utiliser la pompe dans des atmosphères explosives, par exemple en présence de liquides, gaz ou poussières inflammables.** Les moteurs produisent des étincelles qui enflammeront les poussières ou les vapeurs.
- **Garder les badauds, enfants et visiteurs à l'écart pendant l'utilisation de la pompe.** Les distractions donneront lieu à des erreurs.
- **Utilisation en intérieur uniquement.**

### SÉCURITÉ INDIVIDUELLE

- **Rester vigilant. Se concentrer sur son travail et faire preuve de bon sens lors de l'utilisation de cette pompe.** Ne pas tenter d'utiliser cette pompe si vous êtes fatigué ou sous l'influence de drogues, d'alcool ou de médicaments. Un moment d'inattention peut entraîner des blessures graves.
- **Porter une tenue appropriée. Ne porter ni vêtements amples ni bijoux. Attacher ou couvrir les cheveux longs. Garder les cheveux, les vêtements et les gants à l'écart des pièces en mouvement.** Les vêtements flottants, les bijoux ou les cheveux longs risquent d'être happés par les pièces en mouvement.
- **Ne pas travailler hors de portée. Toujours se tenir bien campé et en équilibre.** Une bonne tenue et un bon équilibre permettent un meilleur contrôle en cas de situation imprévue.
- **Utiliser un équipement de sécurité. Toujours porter une protection oculaire.** Suivant les conditions, le port d'un masque anti-poussière, de chaussures de sécurité et d'un casque est recommandé.
- **Ne pas laisser la familiarité acquise par une utilisation fréquente d'outils vous permettre de devenir complaisants et ignorer les principes de sécurité de l'outil.** Une action imprudente peut causer des blessures graves en une fraction de seconde.

### UTILISATION ET ENTRETIEN DE LA BATTERIE

- **Ne recharger qu'avec le chargeur spécifié par le fabricant.** Un chargeur pouvant convenir à un type de bloc de batteries peut entraîner un risque d'incendie lorsqu'il est utilisé avec un autre type de bloc de batteries.
- **Utiliser exclusivement les blocs-piles spécifiquement indiqués pour pompe.** L'utilisation de tout autre bloc de batteries peut créer un risque de blessures et d'incendie.
- **Lorsque le bloc de batteries n'est pas utilisé, le tenir éloigné des objets métalliques tels que les trombones, les pièces de monnaie, les clés, les clous, les vis ou d'autres petits objets métalliques qui pourraient connecter les bornes.** Le court-circuitage des bornes d'une batterie peut entraîner des brûlures ou un incendie.

- Éviter tout contact avec le liquide pouvant être éjecté de la pile en cas d'emploi abusif. En cas de contact accidentel, rincer immédiatement les parties atteintes avec de l'eau. Si le liquide entre en contact avec les yeux, consulter un médecin. Le liquide éjecté des piles peut causer des irritations ou des brûlures.
- Ne pas utiliser un bloc de batteries ou un outil qui est endommagé ou modifié. Les piles endommagées ou modifiées peuvent présenter un comportement imprévisible et provoquer un incendie, une explosion ou un risque de blessure.
- Ne pas exposer un bloc de batteries ou un outil au feu ou à une température excessive. L'exposition au feu ou à une température supérieure à 130 °C (265 °F) peut provoquer une explosion.
- Suivre toutes les instructions de recharge et ne pas recharger le bloc de batteries ou l'outil en dehors de la plage de température spécifiée dans les instructions. Une recharge incorrecte ou à des températures en dehors de la plage spécifiée peut endommager la batterie et augmenter le risque d'incendie.

## ENTRETIEN

- Débrancher le bloc de batteries de la pompe. Dissiper toute la pression du système avant d'intervenir sur un composant.
- Purger tous les liquides du système avant l'entretien.
- Inspecter régulièrement la pompe et les composants du système, recherchant les tuyaux faibles et/ou usés. Vérifier le rotor pour usure ou blocage. S'assurer que toutes les connexions sont sécurisées.
- Utiliser exclusivement des pièces identiques à celles d'origine pour les réparations. Suivre les instructions contenues dans la section Entretien du présent manuel. L'utilisation de pièces non autorisées ou le non-respect des instructions d'entretien peut présenter des risques de décharge électrique ou de blessures et peut annuler la garantie.
- Ne pas modifier ou tenter de réparer la pompe ou le bloc de batteries, sauf comme indiqué dans les instructions d'utilisation et d'entretien.
- Ne jamais réparer des blocs de batteries endommagés. Les blocs de batteries doivent être réparés uniquement par le fabricant.

## RÈGLES DE SÉCURITÉ SUPPLÉMENTAIRES

- Toujours faire preuve de bon sens et procéder avec prudence lors de l'utilisation d'outils. C'est impossible de prévoir toutes les situations dont le résultat est dangereux. Ne pas utiliser cet outil si vous ne comprenez pas ces instructions d'opération ou si vous pensez que le travail dépasse votre capacité ; veuillez contacter Milwaukee Tool ou un professionnel formé pour recevoir plus d'information ou formation.
- Maintenir en l'état les étiquettes et les plaques d'identification. Des informations importantes y figurent. Si elles sont illisibles ou manquantes, contacter un centre de services et d'entretien MILWAUKEE pour un remplacement gratuit.

**AVERTISSEMENT** Certaines poussières générées par les activités de ponçage, de coupe, de rectification, de perçage et d'autres activités de construction contiennent des substances considérées être la cause de malformations congénitales et de troubles de l'appareil reproducteur. Parmi ces substances figurent :

- le plomb contenu dans les peintures à base de plomb ;
  - la silice cristalline des briques, du ciment et d'autres matériaux de maçonnerie, ainsi que
  - l'arsenic et le chrome des sciages traités chimiquement.
- Les risques encourus par l'opérateur envers ces expositions varient en fonction de la fréquence de ce type de travail. Pour réduire l'exposition à ces substances chimiques, l'opérateur doit : travailler dans une zone bien ventilée et porter l'équipement de sécurité approprié, tel qu'un masque anti-poussière spécialement conçu pour filtrer les particules microscopiques.

## PICTOGRAPHIE



Volts



Courant direct

$n_0$  XXXX min<sup>-1</sup> Tours-minute à vide (RPM)



Gallons par minute

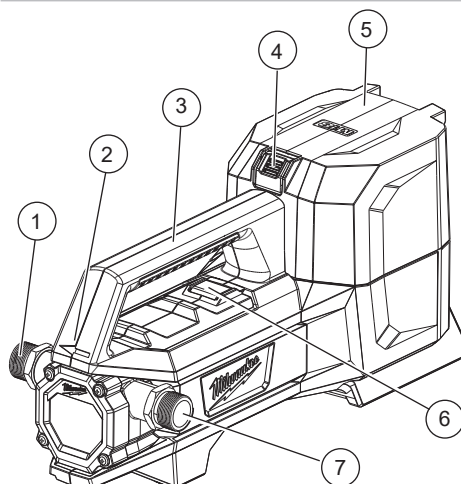


UL Listing Mark pour Canada et États-unis

## SPECIFICATIONS

No de Cat.....	2771-20
Volts.....	18 CD
Type de batterie .....	M18™
Type de chargeur .....	M18™
Débit max .....	8 GPM
Raccords .....	13 mm (1/2") NPT mâle à 19 mm (3/4") GHT mâle
Élévation max .....	5,5 m (18')
Hauteur de tête max .....	23 m (75')
Application	
Température d'eau max .....	60 °C (140 °F)
Température d'air max .....	40 °C (104 °F)

## DESCRIPTION FONCTIONNELLE



- Sortie
- Indicateur de direction du débit
- Poignée
- Bouton du compartiment de la batterie
- Compartiment de la batterie
- Bouton marche/arrêt
- Entrée



## MONTAGE DE L'OUTIL

**⚠ AVERTISSEMENT** Ne recharger la batterie qu'avec le chargeur spécifique. Pour les instructions de charge spécifiques, lire le manuel d'utilisation fourni avec le chargeur et les batteries.

### Retrait/insertion de la batterie

Pour retirer la batterie :

1. Enfoncer le bouton du compartiment de la batterie et ouvrir le compartiment.
2. Pousser les boutons de déverrouillage et retirer le bloc de batteries de l'outil.
3. Fermer bien le compartiment de la batterie.

**⚠ AVERTISSEMENT** Tou-

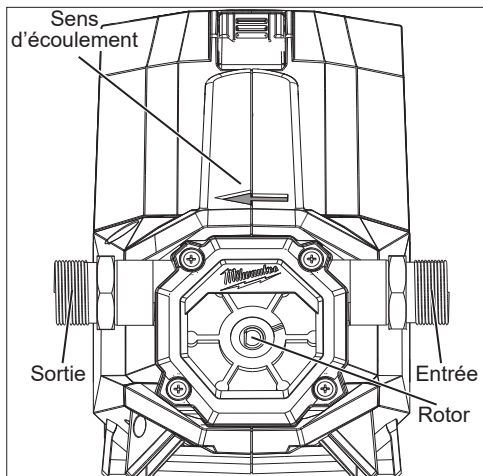
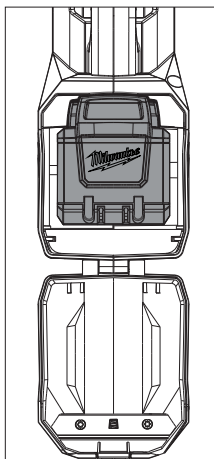
jours retirer la batterie avant de tenter d'installer, de réparer ou d'entretenir la pompe. Ne jamais manipuler la pompe avec les mains mouillées ou en se tenant debout sur une surface mouillée, humide ou dans l'eau.

Pour insérer la batterie :

1. Enfoncer le bouton du compartiment de la batterie et ouvrir le compartiment.
2. Faire glisser la batterie dans l'outil. S'assurer qu'elle y est bien insérée.
3. Fermer bien le compartiment de la batterie.

### Conduites d'entrée/sortie

- Utiliser des tuyaux flexibles avec des raccords femelles de 3/4" GH.
- Utiliser un tuyau flexible résistant pour la conduite d'entrée afin d'empêcher le tuyau de s'effondrer sous la pression. Pour de meilleurs résultats, utiliser un tuyau flexible court et de grand diamètre, tel que, le boyau d'arrosage de longueur 1,8 m (6') et de diamètre interne 19 mm (3/4"). Les flexibles plus longs ou plus minces peuvent réduire le rendement et le débit.
- Vous pouvez utiliser un tuyau d'arrosage normal comme conduite de sortie.
- Utiliser un ruban pour joints filetés ou un joint d'étanchéité statique sur l'entrée pour créer un raccord étanche à l'air et assurer l'amorçage de la pompe.
- S'assurer que les connexions sont serrées.
- Des petites fuites dans la conduite d'entrée réduiront considérablement l'aspiration et l'efficacité de la pompe et peuvent en empêcher le démarrage.
- Fileter les conduites d'entrée et de sortie sur la pompe.



## MANIEMENT

**⚠ AVERTISSEMENT** Afin de minimiser le risque de blessures, toujours porter la protection oculaire appropriée certifiée conforme à la norme ANSI Z87.1.

Toujours retirer la batterie avant de tenter d'installer, de réparer ou d'entretenir la pompe.

**La pompe ne doit être utilisée que pour pomper de l'eau claire. Ne pas pomper de l'eau salée, de la saumure, des refoulements de lavage ou toute autre application pouvant contenir des produits chimiques caustiques et/ou des matières étrangères. Ne pas pomper du sable, des particules ou de gros débris. Ne pas pomper des liquides tels que l'essence, le mazout ou le kérosène. Ne pas utiliser dans une atmosphère inflammable ou explosible.**

**Ne pas placer la pompe sous l'eau ou dans des zones humides. Placer la pompe dans des endroits secs seulement.**

Cette pompe est conçue pour des applications telles que la vidange des chauffe-eau, des piscines, des abreuvoirs de bétail, des bateaux, etc. La pompe n'est pas étanche ou résistante aux intempéries et n'est pas prévue pour être utilisée à l'intérieur des douches, saunas ou autres endroits potentiellement humides.

1. Fixer les conduites d'entrée et de sortie.
2. Placer le tuyau d'entrée sous la surface de l'eau, le plus près possible du milieu de la source d'eau.
3. Étendre les tuyaux d'entrée et de sortie pour s'assurer qu'il n'y a pas de blocages, pliures ou coudes.
4. Fixer le flexible de sortie pour prévenir tout mouvement inattendu une fois que la pompe démarre.
5. Poser la pompe plat sur ses pieds pour une stabilité maximale.
6. Insérer le bloc de batteries.
7. Allumer la pompe.
8. Garder l'entrée de la pompe propre et libre de tout objet étranger. Inspecter l'entrée au début de chaque utilisation.
9. Éteindre la pompe dès qu'elle commence à aspirer de l'air.

10. Ne PAS laisser la pompe fonctionner à sec. Cela pourrait endommager la pompe. Pour éviter d'endommager la pompe, une pompe désamorcée pourrait s'arrêter automatiquement en 60 secondes. Arrêter la pompe pour la réinitialiser.
11. Pour de meilleurs résultats, la pompe ne devrait pas être positionnée à plus de 5,5 m (18') au-dessus de la source d'entrée. La hauteur maximale de refoulement est de 23 m (75').  
**REMARQUE :** Si il est tout sauf clair accidentellement l'eau est pompée, rincer à l'eau claire pendant au moins 30 secondes.
12. Ne pas obstruer les bouches d'aération. En cas de surcharge en raison de la surchauffe, d'un rotor bloqué, etc., arrêter immédiatement la pompe. La pompe pourrait s'arrêter automatiquement. Décoincer le mécanisme et laisser l'outil refroidir avant de redémarrer. Arrêter puis rallumer la pompe pour la réinitialiser.
13. Ne pas faire fonctionner la pompe pendant plus de 1 heure en continu.
14. Une fois le travail terminé, retirer les flexibles d'entrée et de sortie et purger l'eau résiduelle de la pompe. Pour enlever l'eau restante de la pompe, faire fonctionner la pompe pendant maximum 5 secondes. En conditions de froid, les températures de gel peuvent causer le gel de l'eau restant dans la pompe et endommager la pompe.

### Dépannage

Problème	Cause	Mesure corrective
La pompe ne fonctionne pas	Blocage du rotor.	Voir « Remplacement/dégagement du rotor »
Le débit est trop faible	La conduite d'entrée/de sortie est bouchée ou endommagée.	Remplacer la conduite d'entrée/de sortie. Vérifier les conduites pour obstructions, pliures ou coudes. Éliminer les obstructions.
	Le raccord d'entrée n'est pas étanche à l'air.	Serrer le raccord d'entrée, en ajoutant du ruban téflon ou un joint d'étanchéité si nécessaire.
	Le couvercle du rotor n'est pas bien fixé. Rotor usé.	Serrer à la main quatre (4) vis du couvercle.  Voir « Remplacement/dégagement du rotor »
Arrêt de la pompe	Arrêt de la pompe désamorcée. Rotor bloqué. Batterie installée avec la pompe en marche.	Corriger la situation, arrêter puis redémarrer pour réinitialiser.
Arrêt pour surchauffe	Ligne de sortie bloquée. Conduite de sortie trop haute. Ligne de sortie trop longtemps. Pompe en position marche (ON) pendant longtemps.	Laisser refroidir la pompe. Corriger la situation, puis arrêter l'outil et rallumer pour réinitialiser.

**⚠ AVERTISSEMENT** Pour réduire le risque de blessures, toujours retirer le bloc de batteries avant de tenter d'installer, de réparer ou d'entretenir la pompe. Ne jamais démonter la pompe, le bloc de batteries ou le chargeur. Contacter un centre de réparation MILWAUKEE pour TOUTES les réparations.

### Entretien de l'outil

Gardez l'outil en bon état en adoptant un programme d'entretien ponctuel. Inspectez votre outil pour des questions telles que le bruit excessif, de grippage des pièces mobiles, de pièces cassées ou toute autre condition qui peut affecter le fonctionnement de l'outil. Retournez votre outil à un centre de service MILWAUKEE accrédité pour obtenir le service. Après une période pouvant aller de 6 mois à un an, selon l'usage, retournez votre outil à un centre de service MILWAUKEE accrédité pour d'inspection. Si l'outil ne démarre pas ou ne fonctionne pas à pleine puissance alors qu'il est branché sur une batterie complètement chargée, nettoyez les points de contact entre la batterie et l'outil. Si l'outil ne fonctionne toujours pas correctement, renvoyez l'outil, le chargeur et la batterie à un centre de service MILWAUKEE accrédité.

### Remplacement/dégagement du rotor

Vérifier le rotor pour usure avant chaque utilisation. Dégager ou remplacer le rotor s'il est bloqué ou endommagé.

1. Retirer les quatre (4) vis du couvercle maintenant le carter du moteur et le carter de la pompe ensemble. Le couvercle est maintenant libre et peut être retiré.
2. Inspecter le joint et le rotor pour détecter tout signe d'usure et de dommage. S'il y a un signe quelconque d'usure ou de dommage, remplacer les pièces (No de cat. 49-16-2771).
3. Enlever les débris du joint et du rotor.
4. Remonter le joint, le couvercle et les vis du couvercle.
5. Serrer à la main les vis du couvercle. Ne pas utiliser d'outils électriques, ni ne pas trop serrer.
6. Après une utilisation prolongée ou lors du remplacement du rotor, appliquer une petite quantité de graisse de silicone sur les pales du rotor pour une meilleure performance.

### Entreposage

Ne jamais entreposer avec du liquide présent dans la pompe. Pour entreposer l'outil :

1. Retirer les conduites d'entrée et de sortie.
2. Purger l'eau en excès de la pompe.
3. Faire fonctionner la pompe pendant maximum 5 secondes.
4. Retirer le bloc de batteries.

**⚠ AVERTISSEMENT** Pour minimiser les risques de blessures ou de dommages à l'outil, n'immergez jamais l'outil, la batterie ou le chargeur et ne laissez pas de liquide s'infiltrer.

## Nettoyage

Débarassez les événements des débris et de la poussière. Gardez les poignées propres, à sec et exempts d'huile ou de graisse. Le nettoyage doit se faire avec un linge humide et un savon doux. Certains nettoyants tels l'essence, la térébenthine, les diluants à laque ou à peinture, les solvants chlorés, acétone, l'ammoniaque et les détergents d'usage domestique qui en contiennent pourraient détériorer le plastique et l'isolation des pièces. Ne laissez jamais de solvants inflammables ou combustibles auprès des outils.

## Réparations

Pour les réparations, retournez outil, batterie et chargeur en entier au centre-service le plus près.

## ACCESOIRES

**AVERTISSEMENT** L'utilisation d'autres accessoires que ceux qui sont spécifiquement recommandés pour cet outil peut comporter des risques.

Pour une liste complète des accessoires, visiter le site internet [www.milwaukeetool.com](http://www.milwaukeetool.com) ou contactez un distributeur.

## SERVICE - CANADA

**Milwaukee Tool (Canada) Ltd**

**1.800.268.4015**

Monday-Friday, 7:00 AM - 4:30 PM CST

[www.milwaukeetool.ca](http://www.milwaukeetool.ca)

## GARANTIE LIMITÉE - AUX ÉTATS-UNIS ET AU CANADA

Chaque outil électrique\* MILWAUKEE (voir exceptions ci-dessous) est garanti à l'acheteur d'origine uniquement pour être exempt de vices de matériaux et de fabrication. Sous réserve de certaines exceptions, MILWAUKEE réparera ou remplacera toute pièce d'un outil électrique qui, après examen par MILWAUKEE, s'est avérée être affectée d'un vice de matériau ou de fabrication et ce pendant une période de cinq (5) ans\*\* à compter de la date d'achat, sauf indication contraire. Retourner l'outil électrique à un centre de réparation en usine MILWAUKEE ou à un poste d'entretien agréé MILWAUKEE, en port prépayé et assuré. Une copie de la preuve d'achat doit être présentée lors du retour du produit. Cette garantie ne couvre pas les dommages que MILWAUKEE détermine être causés par des réparations ou des tentatives de réparation par quiconque autre que le personnel agréé par MILWAUKEE, ou par des utilisations incorrectes, des altérations, des utilisations abusives, une usure normale, une carence d'entretien ou des accidents.

Usure normale : Plusieurs outils électriques requièrent un remplacement et un entretien périodique de leurs pièces pour un meilleur rendement. Cette garantie ne couvre pas la réparation des pièces due à l'utilisation normale de l'outil, y compris, mais sans s'y limiter, les mandrins, les broches, les cordes, les sabots de scie, les perçages, les joints toriques, les joints, les amortisseurs, les lames d'entraînement, les pistons, les perceurs, les crochets et les rondelles à couvercle amortisseur.

\*Cette garantie ne s'applique pas aux cloveuses-agrafeuses pneumatiques, aux pulvérisateurs à peinture sans air, aux blocs-piles pour outils sans fil, aux génératrices d'alimentation portatives à essence, aux outils à main, aux monte-charge - électriques, à levier et à chaîne, aux vestes chauffantes M12™, aux produits ré-usinés, ni aux produits d'essai et de mesure. Il existe des garanties séparées distinctes pour ces produits.

\*\*La période de garantie applicable pour les radios de chantier, le port d'alimentation M12™, la source électrique M18™, le ventilateur de chantier et les chariots de travail industriels Trade Titan™ est d'une durée d'un (1) an à compter de la date d'achat. La période de garantie pour les Câbles de nettoyage des canalisations est de deux (2) ans à compter de la date d'achat. La période de garantie pour le Pistolet thermique compact M18™ et Dépoussiéreur de 8 gallons est de trois (3) ans à compter de la date d'achat. La période de garantie couvrant la DEL de la lampe de travail à DEL et l'ampoule améliorée à DEL de la lampe de travail est une garantie à vie du produit soumise aux limitations ci-dessus. En cas de défaillance de la DEL ou de l'ampoule à DEL pendant son utilisation normale, la pièce défectueuse sera remplacée gratuitement.

L'enregistrement de la garantie n'est pas nécessaire pour bénéficier de la garantie en vigueur sur un outil électrique MILWAUKEE. La date de fabrication du produit servira à établir la période de garantie, si aucune preuve d'achat n'est fournie lorsqu'une demande de service sous garantie est déposée.

L'ACCEPTATION DES RECOURS EXCLUSIFS DE RÉPARATION ET DE REMPLACEMENT DÉCRITS DANS LES PRÉSENTES EST UNE CONDITION DU CONTRAT D'ACHAT DE TOUT PRODUIT MILWAUKEE. SI VOUS N'ACCEPTÉZ PAS CETTE CONDITION, VOUS NE DEVEZ PAS ACHETER LE PRODUIT. EN AUCUN CAS, MILWAUKEE NE SAURAIT ÊTRE RESPONSABLE DE TOUT DOMMAGE ACCESSOIRE, SPÉCIAL OU INDIRECT, DE DOMMAGES-INTÉRÊTS PUNITIFS OU DE TOUTE DÉPENSE, D'HONORAIRES D'AVOCAT, DE FRAIS, DE PERTE OU DE DÉLAIS ACCESSOIRES À TOUT DOMMAGE, DÉFAILLANCE OU DÉFAUT DE TOUT PRODUIT, Y COMPRIS NOTAMMENT LES PERTES DE PROFIT. CERTAINS ÉTATS ET PROVINCES NE PERMETTANT L'EXCLUSION OU LA LIMITATION DES DOMMAGES DIRECTS OU INDIRECTS, LES RESTRICTIONS CI-DESSUS PEUVENT NE PAS VOUS ÊTRE APPLICABLES. CETTE GARANTIE EST EXCLUSIVE ET REMPLACE TOUTE AUTRE GARANTIE EXPRESSE, QU'ELLE SOIT VERBALE OU ÉCRITE. DANS LA MESURE PERMISE PAR LA LOI, MILWAUKEE RENONCE À TOUTE GARANTIE IMPLICITE, Y COMPRIS, MAIS SANS S'Y LIMITER, TOUTE GARANTIE IMPLICITE DE QUALITÉ MARCHANDE OU D'ADAPTATION À UNE UTILISATION OU À UNE FIN PARTICULIÈRE. DANS LA MESURE OU UNE TELLE STIPULATION D'EXONÉRATION N'EST PAS PERMISE PAR LA LOI, LA DURÉE DE CES GARANTIES IMPLICITES EST LIMITÉE À LA PÉRIODE APPLICABLE DE LA GARANTIE EXPRESSE, TEL QUE CELA EST DÉCRIT PRÉCÉDEMMENT. CERTAINS ÉTATS ET PROVINCES NE PERMETTANT PAS DE LIMITATION DE DURÉE DES GARANTIES IMPLICITES, LES RESTRICTIONS CI-DESSUS PEUVENT DONC NE PAS VOUS ÊTRE APPLICABLES. LA PRÉSENTE VOUS CONFÈRE DES DROITS LÉGAUX PARTICULIERS; VOUS BÉNÉFICIEZ ÉGALEMENT D'AUTRES DROITS QUI VARIENT D'UN ÉTAT À UN AUTRE.

Cette garantie s'applique aux produits vendus aux États-Unis et au Canada uniquement.

Veillez consulter la rubrique Centre SAV Milwaukee, dans la section Pièces et Services du site Web de MILWAUKEE, à l'adresse [www.milwaukeetool.com](http://www.milwaukeetool.com), ou composer le 1-800-SAWDUST (1-800-729-3878) afin de trouver le centre de service de votre région le plus proche pour l'entretien, sous garantie ou non, de votre outil électrique Milwaukee.

## GARANTIE LIMITÉE - MEXIQUE, AMÉRIQUE CENTRALE ET CARAÏBES

TECHTRONIC INDUSTRIES® garantit le produit pendant 5 ans à partir de la date d'achat d'origine.

Le présent bon de garantie couvre tous les vices de matériau et de fabrication que peut afficher ce produit.

Pour assurer la validité de la présente garantie, veuillez présenter ce bon de garantie, estampillé du sceau du distributeur ou du magasin où le produit a été acheté, au centre de réparations agréé. Si le bon de garantie n'a pas été estampillé, veuillez fournir la preuve d'achat d'origine au centre de réparations agréé.

Pour un entretien des pièces, des accessoires ou des composants, composer sans frais le 1-800-030-7777 afin d'obtenir les coordonnées du centre de réparations agréé le plus près

### Procédure pour assurer la validité de la garantie

Présenter le produit au centre de réparations agréé, accompagné du bon de garantie estampillé du sceau du distributeur ou du magasin où le produit a été acheté. Toute pièce défectueuse ou tout composant défectueux sera remplacé(e) sans frais. Milwaukee assume tous les frais de transport liés à ce processus de garantie.

### Exceptions

Cette garantie ne s'applique pas dans les situations suivantes :

- Si le produit a été utilisé pour une fin autre que celle indiquée dans le guide de l'utilisateur final ou le manuel d'instructions.
- Si les conditions d'utilisations ne sont pas habituelles.
- Si le produit a été modifié ou réparé par une personne non autorisée par TECHTRONIC INDUSTRIES.

**Remarque :** Si le cordon électrique est endommagé, il doit être remplacé par un centre de réparations agréé pour éviter les risques d'électrocution.

### CENTRE DE RÉPARATIONS ET DE SERVICE

Composer le 01 (800) 030-7777

IMPORTÉ ET COMMERCIALISÉ PAR  
TECHTRONIC INDUSTRIES, MEXIQUE, SA DE CV  
Av President Masarik #29 piso 7, Col. Polanco V Sección  
CP 11560, Deleg. Miguel Hidalgo, CDMX

Modèle : \_\_\_\_\_

Date d'achat : \_\_\_\_\_

Sceau du distributeur ou du magasin : \_\_\_\_\_

## **ADVERTENCIAS GENERALES DE SEGURIDAD SOBRE HERRAMIENTAS**

**▲ ADVERTENCIA** Lea todas las advertencias, instrucciones e ilustraciones de seguridad y las especificaciones provistas con la bomba. El incumplimiento de las instrucciones que se enumeran a continuación podría provocar una descarga eléctrica, incendio y/o lesiones graves. Guarde todas las advertencias e instrucciones para futura consulta.

### **USO Y CUIDADO DE LA BOMBA**

- No coloque la bomba bajo el agua o en áreas mojadas. Coloque la bomba únicamente en lugares secos.
- Riesgo de descarga eléctrica. **NO conecte el conducto a la bomba.**
- Esta bomba se ha evaluado para usarse únicamente con clara agua. Esta bomba no está diseñada para manejar agua salada, salmuera, descargas de lavado, ni demás usos que pudieran contener productos químicos cáusticos, y/o materiales extraños. Esta bomba no es adecuada para usarla con la vida acuática. Si se usa en estas aplicaciones, la bomba puede dañarse o fallar y se anulará la garantía.
- No bombee fluidos inflamables o explosivos, como gasolina, aceite combustible, queroseno, etc. No la use en un ambiente inflamable y/o explosivo. Podría ocurrir una lesión personal y/o la muerte.
- No es adecuada para agua potable ni otros líquidos potables.
- No bombee agua con una temperatura mayor a 60°C (140°F). No bombee arena, partículas o desechos grandes. Puede ocasionar daño a la bomba.
- No permita que la bomba opere en seco por más de 10 segundos. Apague la bomba rápidamente al terminar el trabajo. La bomba podría dañarse.
- No permita que esta bomba opere desatendida. El no seguir esta advertencia puede ocasionar lesiones personales y/o la muerte.
- No use la bomba de un arroyo, estanque u origen donde la bomba pueda succionar objetos extraños. Sólidos pueden entrar en el tubo de entrada.
- Siempre quite la batería antes de intentar instalar o dar servicio a la bomba. Nunca manipule la bomba con las manos húmedas o cuando esté parado en una superficie mojada o húmeda o en el agua. Puede ocurrir un choque eléctrico mortal.
- Sujete la línea de descarga antes de encender la bomba. Una línea de descarga sin sujetar bajo presión puede provocar un efecto de látigo. Podría ocurrir una lesión personal y/o la muerte.
- No utilice la bomba si el interruptor no la enciende y la apaga. Cualquier bomba que no pueda controlarse con el interruptor es peligrosa y debe repararse.
- Siempre extraiga la batería de la bomba antes de realizar cualquier ajuste, cambiar accesorios o almacenar el aparato. Tales medidas preventivas de seguridad disminuyen el riesgo de que el aparato se encienda accidentalmente.
- Dé mantenimiento a las herramientas eléctricas y accesorios. Verifique que no haya desalineación, amarre de partes móviles, partes rotas o alguna otra condición que pueda afectar el funcionamiento de la herramienta eléctrica. Si se daña, asegúrese de que la herramienta eléctrica sea reparada antes de que se utilice. Muchos

accidentes son ocasionados por herramientas eléctricas con mantenimiento deficiente.

- Mantenga el mango y las superficies de sujeción secos, limpios y libres de aceite y grasa. El mango y superficies de sujeción resbalosas no permiten el manejo y control seguros de la herramienta en situaciones inesperadas.

### **SEGURIDAD EN EL TRABAJO**

- Mantenga el área de trabajo limpia y bien iluminada. Las áreas desordenadas u oscuras son propicias para los accidentes.
- No utilice la bomba en atmósferas explosivas, tales como en presencia de líquidos, gases o polvos inflamables. Los motores generan chispas que encenderán el polvo o los vapores.
- Mantenga a espectadores, niños y visitantes alejados mientras opera la bomba. Las distracciones provocarán errores.
- Solo para uso en interiores.

### **SEGURIDAD PERSONAL**

- Cuando opere esta bomba, manténgase alerta, preste atención a lo que hace y use su sentido común. No intente operar esta bomba mientras está cansado o bajo la influencia de drogas, alcohol o medicamentos. Un momento de distracción puede ocasionar lesiones personales graves.
- Vístase adecuadamente. No utilice ropa o joyería holgada. Sujétese el cabello largo. Mantenga el cabello, la ropa y los guantes alejados de las partes móviles. Las alhajas, las prendas sueltas o el cabello largo podrían quedar atrapados en las partes móviles.
- No se estire demasiado para usar la herramienta. Mantenga un buen contacto entre los pies y el suelo y mantenga el equilibrio en todo momento. Un soporte y equilibrio adecuados permiten un mejor control en situaciones inesperadas.
- Utilice equipo de seguridad. Siempre use protección para los ojos. Se debe usar una máscara para polvo, calzado de seguridad antideslizante y casco para las condiciones adecuadas.
- No permita que la familiaridad por el uso frecuente de las herramientas lo hagan sentirse seguro e ignorar los principios de seguridad de las herramientas. Un descuido puede provocar lesiones graves en una fracción de segundo.

### **USO Y CUIDADO DE LA BATERÍA**

- Recargue únicamente con el cargador especificado por el fabricante. Un cargador que es adecuado para un tipo de batería puede crear un riesgo de incendio si se utiliza con otra batería.
- Utilice las herramientas eléctricas únicamente con baterías específicamente diseñadas. El uso de cualquier otra batería puede producir un riesgo de lesiones e incendio.
- Cuando la batería no esté en uso, manténgala alejada de otros objetos metálicos como sujetapapeles, monedas, llaves, clavos, tornillos u otros objetos metálicos pequeños que puedan formar una conexión de una terminal a otra. Crear un corto entre las terminales de la batería puede ocasionar quemaduras o un incendio.
- Bajo condiciones de maltrato, el líquido puede ser expulsado de la batería, evite el contacto. En caso de contacto accidental, lave con agua. Si el líquido entra en contacto con los ojos, busque también ayuda médica. El líquido expulsado de la batería puede causar irritación o quemaduras.



- **No use una batería o herramienta que se haya dañado o modificado.** Las baterías dañadas o modificadas pueden mostrar un comportamiento impredecible, causando incendios, explosión o riesgo de lesión.
- **No exponga una batería o herramienta al fuego o a temperatura excesiva.** La exposición a fuego o temperatura a más de 130° C (265° F) puede causar explosiones.
- **Siga todas las instrucciones de carga y no cargue la batería o la herramienta fuera del rango de temperatura especificado en las instrucciones.** La carga incorrecta o a temperaturas fuera del rango especificado pueden dañar la batería y aumentar el riesgo de incendio.

## SERVICIO

- **Desconecte la batería de la bomba. Libere toda la presión que haya dentro del sistema antes de dar servicio a cualquier componente.**
- **Drene todos los líquidos del sistema antes de dar servicio.**
- **Inspeccione periódicamente la bomba y los componentes del sistema para verificar que no haya mangueras débiles y/o desgastadas. Verifique que el impulsor no esté desgastado ni bloqueado.** Asegúrese de que todas las conexiones estén sujetadas.
- **Al realizarse un servicio a una bomba, utilice únicamente piezas de repuesto idénticas. Siga las instrucciones de la sección Mantenimiento de este manual.** El uso de piezas no autorizadas o el no seguir las instrucciones de Mantenimiento puede crear un riesgo de descarga eléctrica o lesión y puede anular la garantía.
- **No modifique ni intente reparar la bomba ni la batería excepto según lo indicado en las instrucciones para el uso y cuidado.**
- **Nunca dé servicio a baterías dañadas.** Únicamente el fabricante o proveedores de servicio autorizados deben dar servicio a las baterías.

## REGLAS ADICIONALES DE SEGURIDAD

- **Válgase siempre de su sentido común y sea cuidadoso cuando utilice herramientas.** No es posible anticipar todas las situaciones que podrían tener un desenlace peligroso. No utilice esta herramienta si no entiende estas instrucciones de uso o si considera que el trabajo a realizar supera sus capacidades, comuníquese con Milwaukee Tool o con un profesional capacitado para recibir capacitación o información adicional.
- **Conserve las etiquetas y las placas nominales.** Contienen información importante. Si son ilegibles o no están presentes, comuníquese con un centro de servicio MILWAUKEE para obtener un reemplazo gratuito.
- **ADVERTENCIA** Algunos polvos generados por el lijado eléctrico, aserrado, pulido, taladrado y otras actividades de construcción contienen químicos identificados como causantes de cáncer, defectos congénitos u otros daños reproductivos. Algunos ejemplos de estos químicos son:
  - plomo de pintura basada en plomo
  - dióxido de silicio de los ladrillos y el cemento y otros productos de albañilería y

- arsénico y cromo de madera con tratamiento químico. Su riesgo por estas exposiciones varía, dependiendo de la frecuencia con que realice este tipo de trabajo. Para reducir su exposición a estos químicos: trabaje en un área bien ventilada y trabaje con equipo de seguridad aprobado, como mascarillas protectoras contra polvo especialmente diseñadas para filtrar partículas microscópicas.

## SIMBOLOGÍA



Volts



Corriente continua

n<sub>r</sub> XXXX min<sup>-1</sup> Revoluciones por minuto sin carga (RPM)



Galones por minuto

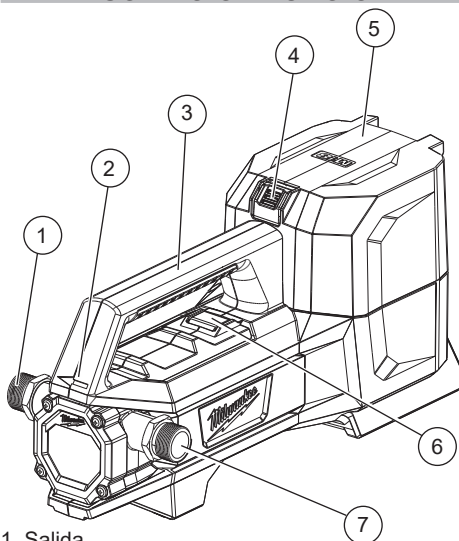


UL Listing Mark para Canadá y Estados Unidos

## ESPECIFICACIONES

Cat. No. ....	2771-20
Volts.....	18 CD
Tipo de batería .....	M18™
Tipo de cargador .....	M18™
Máx. Caudal .....	8 GPM
Conexiones.....	Macho NPT de 13 mm (1/2") a macho GHT de 19 mm (3/4")
Máx. Elevación .....	5,5 m (18')
Máx. Espacio de cabeza .....	23 m (75')
Aplicación	
Máx. temperatura del agua.....	60°C (140°F)
Máx. temperatura del aire.....	40°C (104°F)

## DESCRIPCION FUNCIONAL



1. Salida
2. Dirección del indicador de flujo
3. Mango
4. Botón del compartimento de la batería
5. Compartimento de las baterías
6. Botón encendido/apagado
7. Entrada



## ENSAMBLAJE

**⚠ ADVERTENCIA** Recargue la batería sólo con el cargador especificado para ella. Para instrucciones específicas sobre cómo cargar, lea el manual del operador suministrado con su cargador y la batería.

### Extracción/inserción de la batería

Para extraer la batería:

1. Presione el botón del compartimiento de la batería y abra el compartimiento.
2. Presione los botones de liberación y jale la batería para sacarla de la herramienta.
3. Cierre el compartimiento de la batería firmemente.

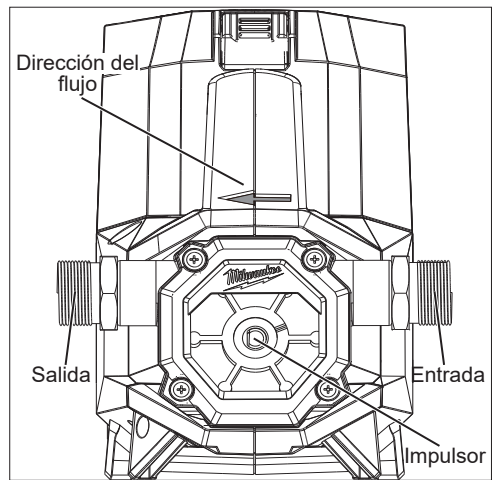
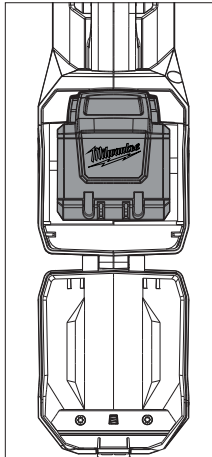
**⚠ ADVERTENCIA** Siempre extraiga la batería antes de intentar instalar, dar servicio o mantener la bomba. Nunca manipule una bomba con las manos húmedas o cuando esté parado en una superficie mojada o húmeda o en el agua.

Para insertar la batería:

1. Presione el botón del compartimiento de la batería y abra el compartimiento.
2. Deslice la batería hacia adentro de la herramienta. Asegúrese de que encaje firmemente.
3. Cierre el compartimiento de la batería firmemente.

### Líneas de entrada/salida

- Use las mangueras con conexiones hembras GHT de 3/4" (19 mm).
- Debe usarse una manguera de uso pesado para la manguera de entrada a fin de prevenir que se colapse. Para obtener mejores resultados, utilice un tramo corto de manguera de diámetro grande, como una manguera de jardín de 1,8 m (6') de longitud y 19 mm (3/4") de diámetro interior. Las mangueras más largas o más delgadas pueden reducir el desempeño y el caudal.
- Puede usar una manguera de jardín regular como línea de salida.
- Use cinta de sello de roscas o un empaque en la entrada para crear una conexión hermética a fin de asegurar el cebado de la bomba.
- Asegúrese de que las conexiones estén bien apretadas.
- Las fugas pequeñas en la línea de entrada reducirán en gran medida la succión y la eficiencia de la bomba, y pueden impedir la imprimación.
- Enrosque las líneas de entrada y salida en la bomba.



## OPERACION

**⚠ ADVERTENCIA** Con el fin de minimizar el riesgo de lesiones, siempre utilice la protección de ojos adecuada indicada para cumplir con lo dispuesto en la norma ANSI Z87.1.

Siempre extraiga la batería antes de intentar instalar, dar servicio o mantener la bomba.

La bomba solo debe usarse para bombear agua limpia. No bombee agua salada, salmuera, descargas de lavado, ni demás usos que pudieran contener productos químicos cáusticos, y/o materiales extraños. No bombee arena, partículas o desechos grandes. No bombee líquidos como gasolina, aceite combustible o queroseno. No la utilice en entornos inflamables o explosivos.

No coloque la bomba bajo el agua o en áreas mojadas. Coloque la bomba únicamente en lugares secos.

Esta bomba está diseñada para aplicaciones tales como vaciar calentadores de agua, piscinas, tanques para ganadería, barcos, etc. La bomba no es a prueba de agua ni es resistente a la intemperie y no está diseñada para usarse en el interior de duchas, saunas ni otros lugares potencialmente mojados.

1. Instale las líneas de entrada y salida.
2. Coloque la manguera de entrada abajo de la superficie del agua, colocándola lo más cerca posible al área del centro del origen del agua.
3. Acomode las mangueras de entrada y salida para asegurarse de que no haya bloqueos, deformaciones ni dobleces.
4. Sujete la manguera de salida para asegurar que no se agite como látigo ni se mueva inesperadamente cuando inicie el bombeo.
5. Coloque la bomba sobre sus pies para una máxima estabilidad.
6. Inserte la batería.
7. Encienda la bomba.
8. La entrada de la bomba debe mantenerse limpia y libre de cualquier objeto extraño. Inspeccione la entrada al inicio de cada uso.

9. En cuanto la bomba comience a succionar aire, apáguela.
10. NO permita que la bomba funcione sin líquido. La bomba podría dañarse. Para prevenir daños a la bomba, una bomba sin líquido puede apagarse automáticamente después de 60 segundos. Apague la bomba para restablecerla.
11. Para mejores resultados, la bomba no debe estar más de 5,5 m (18') por encima de la fuente de la entrada. La máxima altura de descarga es de 23 m (75').  
**NOTA:** Si nada claro accidentalmente se bombea agua, lave con agua limpia durante al menos 30 segundos.
12. NO obstruya las ventilas de aire. Apague inmediatamente la bomba si ocurre una sobrecarga, a causa de un sobrecalentamiento, un impulsor atascado, etc. La bomba se puede apagar automáticamente. Despeje el atasco y deje que la herramienta se enfríe antes de volver a usarla. Apague y encienda la bomba para restaurarla.
13. No opere la bomba durante más de 1 hora continuamente.
14. Cuando termine, retire las mangueras de entrada y salida, y vierta cualquier exceso de agua de la bomba. Para extraer el agua restante de la bomba, opere la bomba en seco por no más de 5 segundos. En climas fríos, las temperaturas de congelamiento pueden ocasionar que el agua restante en la bomba se congele y dañe la bomba.

### Resolución de problemas

Problema	Causa	Corrección
La bomba no funciona	El impulsor está bloqueado.	Vea "Reemplazo/Despeje del impulsor"
El caudal es demasiado bajo	La línea de entrada/salida está obstruida o dañada.	Reemplace la línea de entrada/salida. Verifique que las líneas no estén bloqueadas, deformadas o dobladas. Despeje las obstrucciones.
	La conexión de entrada no está hermética.	Apriete la conexión de entrada, agregando cinta de Teflón o un empaque, de ser necesario.
	La cubierta del impulsor no está bien sujeta.	Apriete manualmente los cuatro (4) tornillos de la cubierta.
	Hélice desgastada.	Vea "Reemplazo/Despeje del impulsor"
La bomba se apagó	La bomba se apaga al operar en seco. El impulsor está atorado. La batería se instaló con la bomba encendida.	Corrija la situación, luego apáguela y vuelva a encenderla para restaurarla.
Apagado por sobrecalentamiento	Línea de salida bloqueada.	Deje que la bomba se enfríe.
	Línea de salida demasiado alta.	Corrija la situación, luego apague la herramienta y vuelva a encenderla para restablecerla.
	Línea de salida demasiado larga. Bomba ENCENDIDA demasiado tiempo.	

**⚠️ ADVERTENCIA** Para reducir el riesgo de lesiones, siempre extraiga la batería antes de intentar instalar, dar servicio o mantener la bomba. Nunca desarme la bomba, la batería o el cargador. Comuníquese con un centro de servicio MILWAUKEE para TODAS las reparaciones.

### Mantenimiento de las herramientas

Adopte un programa regular de mantenimiento y mantenga su herramienta en buenas condiciones. Inspeccione la herramienta para problemas como ruidos indebidos, desalineadas o agarratadas de partes móviles, piezas rotas o cualquier otra condición que pueda afectar el funcionamiento de la herramienta. Envíe su herramienta al Centro de Servicio MILWAUKEE para reparación. Después de 6 meses a un año, dependiendo del uso dado, envíe su herramienta al Centro de Servicio MILWAUKEE más cercano para la inspección. Si la herramienta no arranca u opera a toda su potencia con una batería completamente cargada, limpie, con una goma o borrador, los contactos de la batería y de la herramienta. Si aun así la herramienta no trabaja correctamente, regrésela con el cargador y la batería, a un centro de servicio MILWAUKEE.

### Reemplazo/despeje del impulsor

Revise que el impulsor no esté desgastado cada vez que vaya a utilizar la bomba. Despeje o reemplace el impulsor si está bloqueado o dañado.

1. Quite los cuatro (4) tornillos de la cubierta que sujetan la caja del motor a la caja de la bomba. La cubierta ahora está libre y puede quitarse.
2. Inspeccione el empaque y el impulsor para verificar que no estén desgastados ni dañados. Si hay pruebas de desgaste o daño, reemplace las piezas (No. Cat. 49-16-2771).
3. Despeje cualquier desecho del empaque y el impulsor.
4. Vuelva a armar el empaque, la cubierta y los tornillos de la cubierta.
5. Apriete manualmente los tornillos de la cubierta. No use herramientas eléctricas ni los apriete en exceso.
6. Después de uso prolongado o al reemplazar el impulsor, aplique una pequeña cantidad de grasa de silicona a las hojas del impulsor para un mejor rendimiento.

### Almacenamiento

Nunca almacene la bomba con líquido en su interior. Para almacenar la herramienta:

1. Quite las líneas de entrada y salida.
2. Vierta el exceso de agua de la bomba.
3. Opere la bomba durante un máximo de 5 segundos.
4. Extraiga la batería.

**⚠️ ADVERTENCIA** Para reducir el riesgo de lesiones, descarga eléctrica o daño a la herramienta, nunca la sumerja en líquidos ni permita que estos fluyan dentro de la misma.

### Limpieza

Limpie el polvo y suciedad de las ventilas. Mantenga los mangos limpios, secos y libres de aceite o grasa. Use solo jabón neutro y un trapo húmedo para limpiar, ya que algunos substancias y solventes limpiadores son dañinos a los plásticos y partes aislantes. Algunos de estos incluyen: gasolina, turpentina, thíner, lacas, thíner para pinturas, acetona, solventes para limpieza con cloro, amoníaco y detergentes caseros que tengan amonia. Nunca usa solventes inflamables o combustibles cerca de una herramienta.

## Reparaciones

Si su herramienta, batería o cargador están dañados, envíela al centro de servicio más cercano.

## ACCESORIOS

**⚠️ ADVERTENCIA** Utilice sólo los accesorios específicamente recomendados. Otros accesorios puede ser peligrosos.

Para una lista completa de accesorios, visite nuestro sitio en Internet: [www.milwaukeetool.com](http://www.milwaukeetool.com) o póngase en contacto con un distribuidor.

## SOPORTE DE SERVICIO - MEXICO

### CENTRO DE ATENCION A CLIENTES

Techtronix Industries Mexico, S.A. de C.V.

Av. Presidente Masarik 29 Piso 7

11560 Polanco V Seccion

Miguel Hidalgo, Distrito Federal, México

01 (800) 030-7777 o (55) 4160-3540

Lunes a Viernes (9am a 6pm)

O contáctanos en [www.milwaukeetool.com.mx](http://www.milwaukeetool.com.mx)

## GARANTÍA LIMITADA E.U.A. Y CANADÁ

Cada herramienta eléctrica\* de MILWAUKEE (ver excepciones a continuación) está garantizada para el comprador original únicamente de que no tenga material y mano de obra defectuosos. Sujeto a ciertas excepciones, MILWAUKEE reparará o reemplazará cualquier parte en una herramienta eléctrica que tenga defectos de material o mano de obra según lo determine MILWAUKEE mediante una revisión, por un periodo de cinco (5) años\*\* después de la fecha de compra a menos que se indique lo contrario. Al devolver la herramienta eléctrica a un Centro de Servicio de la fábrica de MILWAUKEE o a una Estación de Servicio Autorizada de MILWAUKEE, se requiere que el flete esté pagado por adelantado y asegurado. Se debe incluir una copia del comprobante de compra con el producto devuelto. Esta garantía no aplica a daños que MILWAUKEE determine que son ocasionados por reparaciones o intentos de reparaciones realizados por una persona que no sea personal autorizado de MILWAUKEE, uso indebido, alteraciones, maltrato, desgaste normal, falta de mantenimiento o accidentes.

**Desgaste normal:** Muchas herramientas eléctricas necesitan un reemplazo periódico de partes y servicio para lograr el mejor desempeño. Esta garantía no cubre la reparación cuando el uso normal ha agotado la vida de una parte, incluyendo sin limitar a mandriles, cepillos, cables, zapatas de la sierra, abrazaderas de la hoja, anillos en O, sellos, protectores, hojas de desatornilladores, pistones, herrajes, levatatadores y arandelas de cubierta de los protectores.

\*Esta garantía no cubre clavadoras y grapadoras neumáticas, pistola de pintura a presión, baterías inalámbricas, generadores de energía portátil de gasolina, herramientas de mano, palanca y cadena de mano de polipasto - eléctricas, indumentaria calefataca M12™, producto reacondicionado y productos de prueba y medición. Existen garantías por separado y distintas disponibles para estos productos.

\*\*El periodo de garantía para los radios para obra, puerto de energía M12™, fuente de poder M18™ ventiladores para obra y carretillas de trabajo industrial Trade Titan™ es de un (1) año a partir de la fecha de compra. El periodo de garantía para los Cables de limpieza de drenaje es de dos (2) años a partir de la fecha de compra. El periodo de garantía de la Pistola de calor compacta M18™ de la Extractor de polvo de 8 galones es de tres (3) años a partir de la fecha de compra. El periodo de garantía de las lámparas de LED en la Lámpara de trabajo LED y el Bulbo mejorado de LED para la Luz de trabajo es por la vida del producto sujeto a las limitaciones anteriores. Si durante el uso normal el LED o Bulbo de LED falla, la parte será reemplazada sin cargo.

No se requiere el registro de la garantía para obtener la garantía correspondiente a un producto de herramienta eléctrica de MILWAUKEE. La fecha de manufactura del producto se utilizará para determinar el periodo de garantía si no se proporciona comprobante de compra al solicitar el servicio en garantía.

LA ACEPTACIÓN DE LOS REMEDIOS EXCLUSIVOS DE REPARACIÓN Y REEMPLAZO AQUÍ DESCRITOS ES UNA CONDICIÓN DEL CONTRATO PARA LA COMPRA DE TODO PRODUCTO DE MILWAUKEE. SI USTED NO ACEPTA ESTA CONDICIÓN, NO

DEBE COMPRAR EL PRODUCTO. MILWAUKEE NO SERÁ RESPONSABLE EN NINGUN CASO DE DAÑOS INCIDENTALES, ESPECIALES, EMERGENTES O PUNITIVOS NI DE NINGUN COSTO, HONORARIOS LEGALES, GASTOS, PÉRDIDAS O DEMORAS ALEGADAS COMO CONSECUENCIA DE ALGUN DAÑO, FALLA O DEFECTO EN NINGUN PRODUCTO, INCLUYENDO, ENTRE OTROS, RECLAMACIONES POR PÉRDIDA DE UTILIDADES. ALGUNOS ESTADOS NO PERMITEN LA EXCLUSIÓN O LIMITACIÓN DE RESPONSABILIDAD POR DAÑOS INCIDENTALES O EMERGENTES, POR LO QUE LA ANTERIOR LIMITACIÓN O EXCLUSIÓN PODRÍA NO APLICARSE EN SU CASO. ESTA GARANTÍA ES EXCLUSIVA Y REEMPLAZA TODAS LAS DEMÁS GARANTÍAS EXPRESAS, ESCRITAS U ORALES, EN LA MEDIDA EN QUE LO PERMITA LA LEY, MILWAUKEE DESCONOCE CUALQUIER GARANTÍA IMPLÍCITA, INCLUYENDO SIN LIMITACIÓN CUALQUIER GARANTÍA IMPLÍCITA DE COMERCIABILIDAD O IDONEIDAD PARA UN FIN O USO ESPECÍFICO; EN LA MEDIDA EN QUE DICHO DESCONOCIMIENTO NO SEA PERMITIDO POR LA LEY, DICHAS GARANTÍAS IMPLÍCITAS SE LIMITAN A LA DURACIÓN DE LA GARANTÍA EXPRESA CORRESPONDIENTE SEGUN SE DESCRIBIÓ ANTERIORMENTE. ALGUNOS ESTADOS NO PERMITEN LIMITACIONES SOBRE LA DURACIÓN DE UNA GARANTÍA IMPLÍCITA, POR LO QUE LA ANTERIOR LIMITACIÓN PODRÍA NO APLICARSE A USTED. ESTA GARANTÍA LE DA DERECHOS LEGALES ESPECÍFICOS Y USTED PODRÍA ADEMÁS TENER OTROS DERECHOS QUE VARIAN DE UN ESTADO A OTRO.

Esta garantía aplica al producto vendido en los Estados Unidos y Canadá únicamente.

Consulte la "Búsqueda de centro de servicio" en la sección de Partes y servicio del sitio web de MILWAUKEE en [www.milwaukeetool.com](http://www.milwaukeetool.com) o llame al 1.800.SAWDUST (1.800.729.3878) para localizar su centro de servicio más cercano para darle servicio con y sin garantía a una herramienta eléctrica de Milwaukee.

## PÓLIZA DE GARANTÍA - VALIDA SOLO PARA MÉXICO, AMÉRICA CENTRAL Y EL CARIBE

La garantía de TECHTRONIX INDUSTRIES es por 5 años a partir de la fecha original de compra.

Esta tarjeta de garantía cubre cualquier defecto de material y mano de obra en ese Producto.

Para hacer válida esta garantía, presente esta tarjeta de garantía, cerrada/sellada por el distribuidor o la tienda donde compró el producto, al Centro de Servicio Autorizado (ASC). O, si esta tarjeta no se ha cerrado/sellado, presente la prueba original de compra a ASC. Llame gratis al 01 (800) 030-7777 para encontrar el ASC más cercano, para servicio, partes, accesorios o componentes.

### Procedimiento para hacer válida esta garantía

Lleve el producto a ASC, junto con la tarjeta de garantía cerrada/sellada por el distribuidor o la tienda donde compró el producto, y cualquier pieza o componente defectuoso se reemplazará sin costo para usted. Cubriremos todos los costos de flete con relación a este proceso de garantía

### Excepciones

Esta garantía no tendrá validez en las siguientes situaciones:

- Cuando el producto se use de manera distinta a la que indica el manual del usuario final o de instrucciones.
- Cuando las condiciones de uso no sean normales.
- Cuando otras personas no autorizadas por TECHTRONIX INDUSTRIES modifiquen o reparen el producto.

**Nota:** si el juego de cables está dañado, tiene que reemplazarse en un Centro de Servicio Autorizado para evitar riesgos eléctricos.

### CENTRO DE SERVICIO Y ATENCIÓN

Llame al 01 (800) 030-7777

IMPORTADO Y COMERCIALIZADO POR  
TECHTRONIX INDUSTRIES, MÉXICO, SA DE CV  
Av. President Masarik #29 piso 7, Col. Polanco V Sección  
CP 11560, Deleg. Miguel Hidalgo, CDMX

Modelo: \_\_\_\_\_

Fecha de Compra: \_\_\_\_\_

Sello del Distribuidor: \_\_\_\_\_

**MILWAUKEE TOOL**  
13135 West Lisbon Road  
Brookfield, WI 53005 USA

58140049d6  
09/18

01605200701Q-01(A)  
Printed in Taiwan