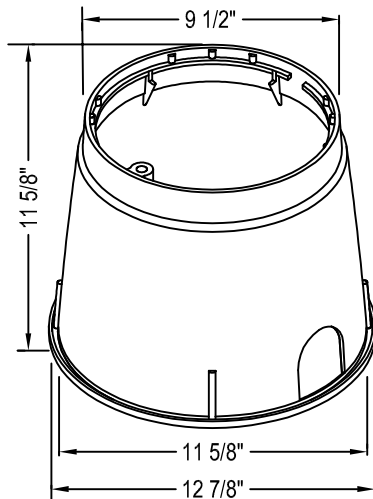


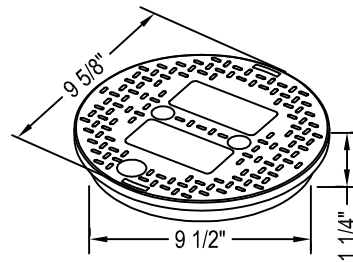


NDS, INC.  
 851 NORTH HARVARD AVE.  
 LINDSAY, CA 93247  
 TOLL FREE: 1-800-726-1994  
 PHONE: (559) 562-9888  
 FAX: (559) 562-4488  
 www.ndspro.com

PART NUMBER	DESCRIPTION - MARKING	COLOR (BOX/COVER)	PALLET QTY.	WEIGHT EA.	PRODUCT CLASS
BOX & COVER					
111BC	10" ROUND BOX, ROUND OVERLAPPING COVER - ICV	BLACK/GREEN	180	3.00	20ND
111BC SAND	10" ROUND BOX, ROUND OVERLAPPING COVER - ICV	SAND/SAND	180	3.00	20ND



BOX

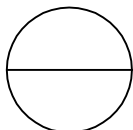


COVER

PERSPECTIVE VIEWS

NOTES:

1. INSTALLATION TO BE COMPLETED IN ACCORDANCE WITH MANUFACTURER'S SPECIFICATIONS.
2. DO NOT SCALE DRAWING.
3. THIS DRAWING IS INTENDED FOR USE BY ARCHITECTS, ENGINEERS, CONTRACTORS, CONSULTANTS AND DESIGN PROFESSIONALS FOR PLANNING PURPOSES ONLY.
4. ALL INFORMATION CONTAINED HEREIN WAS CURRENT AT THE TIME OF DEVELOPMENT BUT MUST BE REVIEWED AND APPROVED BY THE PRODUCT MANUFACTURER TO BE CONSIDERED ACCURATE.



**PRO SERIES VALVE BOXES**

10" ROUND - 111BC