

**Simer**<sup>®</sup>  
WE RUN THE WATER IN YOUR HOME™  
293 Wright Street, Delavan, WI 53115  
Phone: 800-468-7867  
Fax: 800-390-5351  
www.simerpump.com

OWNER'S MANUAL  
**Submersible Utility Pumps**

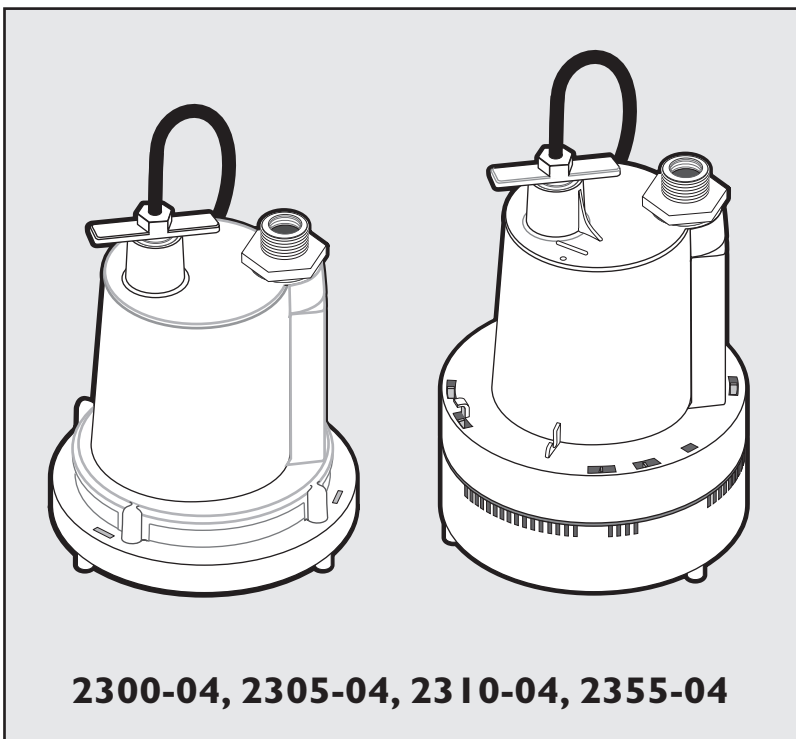
---

NOTICE D'UTILISATION  
**Pompe submersible  
à usage général**

---

MANUAL DEL USUARIO  
**Bomba sumergible  
de uso general**

---



**Installation/Operation/Parts**

*For further operating, installation,  
or maintenance assistance:*

**Call 800-468-7867**

**English..... Pages 2-6**

**Installation/Fonctionnement/Pièces**

*Pour plus de renseignements  
concernant l'utilisation,  
l'installation ou l'entretien,*

**Composer le (800) 468-7867**

**Français ..... Pages 7-11**

**Instalación/Operación/Piezas**

*Para mayor información sobre el  
funcionamiento, instalación o  
mantenimiento de la bomba:*

**Llame al 800-468-7867**

**Español..... Páginas 12-16**

**Important Safety Instructions**

SAVE THESE INSTRUCTIONS - This manual contains important instructions that should be followed during installation, operation, and maintenance of the product.

**▲** This is the safety alert symbol. When you see this symbol on your pump or in this manual, look for one of the following signal words and be alert to the potential for personal injury!

**▲ DANGER** indicates a hazard which, if not avoided, *will* result in death or serious injury.

**▲ WARNING** indicates a hazard which, if not avoided, *could* result in death or serious injury.

**▲ CAUTION** indicates a hazard which, if not avoided, *could* result in minor or moderate injury.

**NOTICE** addresses practices not related to personal injury.

**Carefully read and follow all safety instructions in this manual and on pump.**

Keep safety labels in good condition. Replace missing or damaged safety labels.

**California Proposition 65 Warning**

**▲ WARNING** This product and related accessories contain chemicals known to the State of California to cause cancer, birth defects or other reproductive harm.

**NOTICE** This unit is not designed for applications involving salt water or brine! Use with salt water or brine will void warranty.

**Specifications**

Power supply required ..... 115V, 60 HZ.  
 Liquid Temp. Range ..... Less Than 120°F (50°C)  
 Individual Branch Circuit Required (min.) ..... 15 Amps  
 Pump Discharge..... 1-1/4" NPT  
 Adapter .....3/4" Garden Hose

**▲ WARNING Risk of fire and explosion.** Can cause severe injury, property damage or death. Do not use in explosive atmospheres.

Pump water only with this pump.

**NOTICE** This unit is not designed as a waterfall or fountain pump, or for applications involving salt water or brine! Use with waterfalls, fountains, salt water or brine will void warranty.

Do not use where water recirculates.

Not designed for use as a swimming pool drainer.

**Performance**

GPH (LPG) At Total Feet (M)						
Model No.	0 (0)	5 (1.5m)	10 (3m)	15 (4.6m)	20 (6.1m)	25 (7.6)
Capacity Gallons (L)/Hour						
2300-04	1,320	1,170	1,020	810	510	-
2305-04	(4,997)	(4,429)	(3,861)	(3,066)	(1,931)	(-)
2310-04						
2355-04	2,160 (8,160)	1,740 (6,600)	1,620 (6,120)	1,260 (4,790)	720 (2,700)	60 (240)

**Electrical and Switch Specifications**

Model No.	HP	Motor Full Load Amps	Individual Branch Circuit Req. (Amps)
2300-04	1/4	5.6	10
2305-04	1/4	6.0	10
2310-04	1/4	5.6	10
2355-04	1/3	10.0	15

1. Know the pump application, limitations, and potential hazards.
2. **Do not use this pump in water with fish present. If any oil leaks out of the motor it can kill fish.**
3. Disconnect the power before servicing.
4. Release all the pressure within the system before servicing any component.
5. Drain all the water from the system before servicing.
6. Secure the discharge line before starting the pump. An unsecured discharge line will whip, possibly causing personal injury and/or property damage.
7. Check hoses for a weak or worn condition before each use, making certain that all connections are secure.

8. Periodically inspect the pump and the system components. Keep free of debris and foreign objects. Perform routine maintenance as required.
9. Provide a means of pressure relief for pumps whose discharge line can be shut-off or obstructed.
10. Personal Safety:
  - a. Wear safety glasses at all times when working with pumps.
  - b. Keep work area clean, uncluttered and properly lighted – replace all unused tools and equipment.
  - c. Keep visitors at a safe distance from work area.
  - d. Make workshop child-proof – with padlocks, master switches, and by removing starter keys.
11. When wiring an electrically driven pump, follow all of the electrical and safety codes that apply.
12. **This equipment is only for use on 115 volt (single phase) and is equipped with an approved 3-conductor cord and 3-prong, grounding-type plug.**

**⚠ WARNING Risk of electric shock.** Can shock, burn or kill. To reduce the risk of electric shock, pull the plug before servicing. This pump has not been investigated for use in swimming pool areas. The pump is supplied with a grounding conductor and grounding-type attachment plug. Be sure it is connected only to a properly grounded grounding-type receptacle.

Where a 2-prong wall receptacle is encountered, it must be replaced with properly grounded 3-prong receptacle installed in accordance with the codes and ordinances that apply.

**Do not walk on wet area until all power has been turned off.** If the shut-off box is in the basement, call the electric company or hydro authority to shutoff the service to house, or call your local fire department for instructions. Failure to follow this warning can result in a fatal electrical shock.

**Do not lift the pump by the power cord.**

13. All wiring should be performed by a qualified electrician.
14. Make certain the power source conforms to the requirements of your equipment.
15. Protect the electrical cord from sharp objects, hot surfaces, oil, and chemicals. Avoid kinking the cord. Replace or repair damaged or worn cords immediately.
16. Do not touch an operating motor. Modern motors can operate at high temperatures.
17. Do not handle the pump or the pump motor, or change fuses with wet hands or when standing on wet or damp surface, or in water.

## Installation

1. Set the pump on a hard surface in at least 2 inches of water.
2. Connect the discharge line with the fittings provided.
3. The pump should not be installed on clay, dirt, mud or sand surfaces. Although the pump will usually pass small particles suspended in water, clean the area to be pumped of small stones and gravel which could clog the pump.

**NOTICE** Grass, mud, sand or pea gravel can clog the pump and reduce its performance. Keep the pump inlet screen clean.

4. To reduce motor noise and vibrations when using rigid pipe, a short length of rubber hose (e.g. radiator hose) can be connected into the discharge line near the pump using suitable clamps.
5. Power Supply: These pumps are designed for 115 V., 60 Hz., operation and requires a minimum 15 amp individual branch circuit. Pump is supplied with a 3-wire cord with grounding-type plug.

**⚠ WARNING Risk of electric shock.** Can shock, burn or kill. Pump should always be electrically grounded to a suitable electrical ground such as a grounded water pipe or a properly grounded metallic raceway, or ground wire system. Do not cut off round ground pin.

6. If the pump discharge line is exposed to an outside sub-freezing atmosphere, the portion of line exposed must be installed so any water remaining in the pipe will drain to the outfall by gravity. Failure to do this can cause the water trapped in the discharge to freeze which could result in damage to the pump.
7. Check the system operation by observing the pump operation through one complete cycle.

**⚠ CAUTION Risk of flooding.** Can cause personal injury and/or property damage. Failure to make this operational check may lead to improper operation, premature failure, and flooding.

## Operation

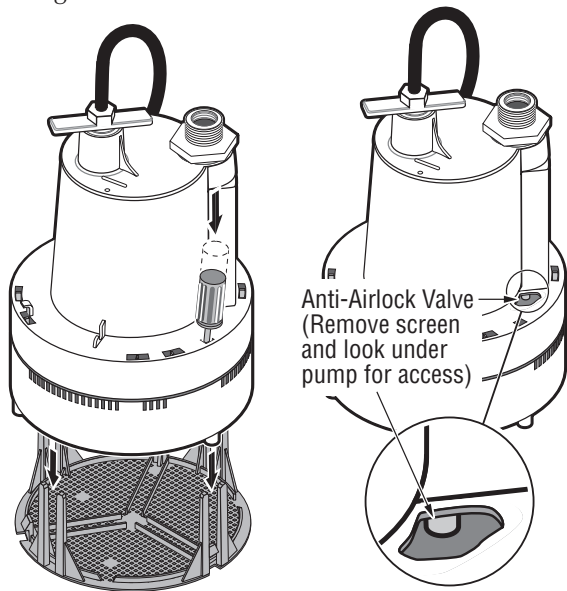
**⚠ WARNING Risk of electric shock.** Can shock, burn or kill. Do not handle a pump or pump motor with wet hands or when standing on wet or damp surface, or in water.

Before attempting to check why a unit has stopped operating, disconnect power from the unit.

1. The shaft seal depends on water for lubrication and cooling. Do not operate the pump unless it is submerged in water as seal may be damaged if allowed to run dry.

- The pump will not remove all water. On a flat surface Model Nos. 2300, 2305, and 2310 will pump down to within 1/8" of the pumping surface. Model No. 2355 will pump down to within 5/8" of the pumping surface.

**⚠ WARNING Risk of electric shock.** Can shock, burn or kill. For long cycle times, the pump must be submerged to prevent the motor from overheating. A fully submerged pump is preferred for proper cooling when a pump runs for a long time.

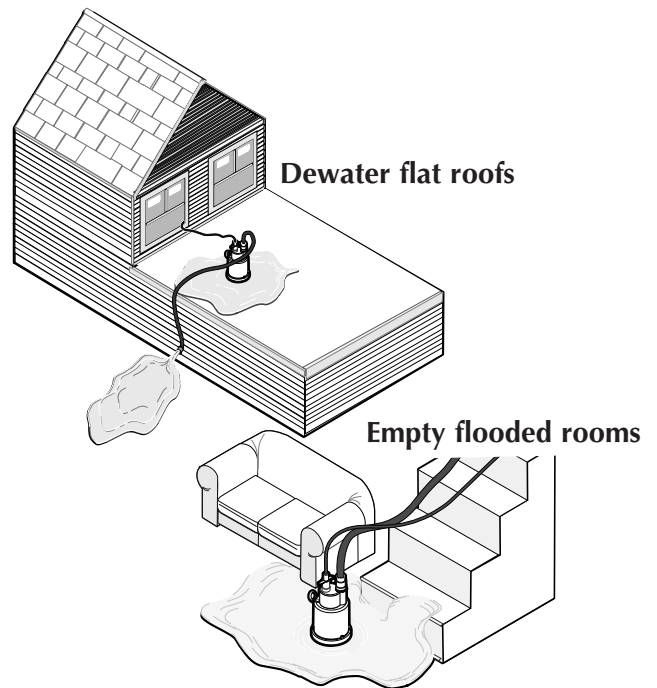


**Figure 1 - Unsnap screen with screwdriver and tap out to clean it. Be sure all snaps catch when reinstalling it.**

## Airlocks

When a pump airlocks, it runs but does not move any water. An airlock will cause the pump to overheat and fail. The pumps have a built in anti-airlock hole. See Figure 1 for the location of the hole. Water leakage from the anti-airlock hole is normal.

If you suspect an airlock, unplug the pump, clean out the anti-airlock hole with a paper clip or a piece of wire, and restart the pump.



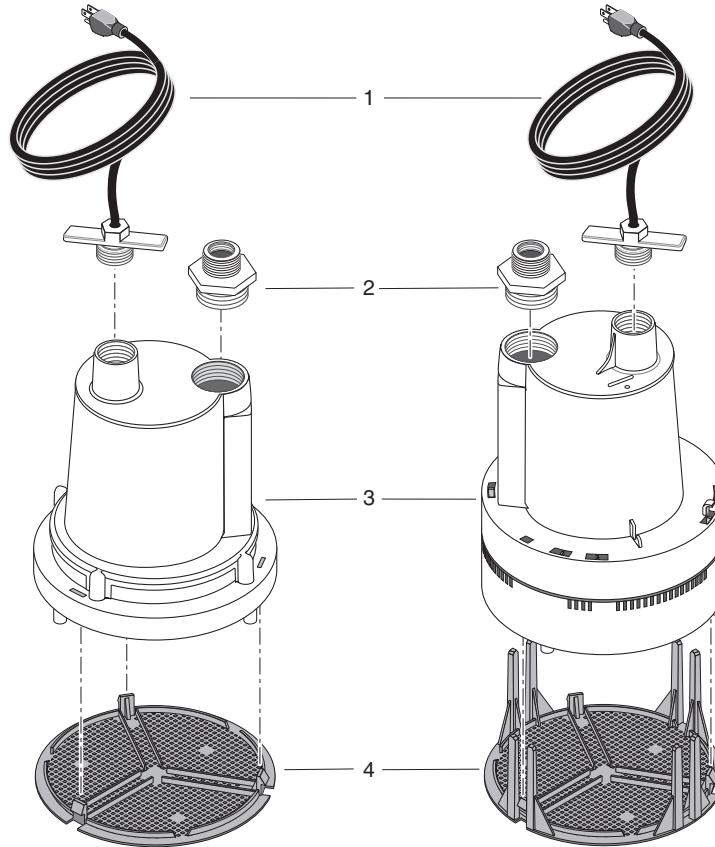
**Figure 2 - Typical uses**

## Troubleshooting

Symptom	Probable Cause(s)	Corrective Action
Pump won't start or run.	Pump is not plugged in. Blown fuse. Low line voltage.  Defective motor.	Check and see if pump is plugged in to a proper outlet. If blown, replace with fuse of proper size or reset breaker. If voltage is under recommended minimum. Check size of wiring from main switch on property. If OK, contact power company or hydro authority. Replace pump.
Pump operates but delivers little or no water.	Restricted discharge (obstacle or ice in piping). Restricted intake. Low line voltage.  Worn or plugged impeller. The anti-airlock hole is plugged.	Remove pump and clean pump and piping.  Remove the pump and clean out the intake screen. The voltage is under recommended minimum. Check size of wiring from main switch on property. If OK, contact power company or hydro authority. Replace pump. Turn off the pump, clean out the anti-airlock hole, and restart the pump.

2300-04, 2310-04

2305-04, 2355-04



Ref.	Description	Qty.	2300-04 2310-04	2305-04 2355-04
1	Power Cord (2300, 2305, 2355)	1	PS117-54-TSU	PS117-54-TSU
1	Power Cord (2310)	1	PS117-136-TSU	—
2	Adapter	1	HA5	HA5
3	Cover, Motor Assembly	1	**	**
4	Inlet Screen	1	PS8-129P	—
4	Inlet Screen (2305-04)	1	—	PS8-128P
4	Inlet Screen (2355-04)	1	—	PS8-127P

\*\* If the motor fails, replace the entire pump.

**Retain Original Receipt For Warranty Eligibility**

**Limited Warranty**

This Limited Warranty is effective June 1, 2011 and replaces all undated warranties and warranties dated before June 1, 2011. SIMER warrants to the original consumer purchaser (“Purchaser” or “You”) that its products are free from defects in material and workmanship for a period of twelve (12) months from the date of the original consumer purchase. If, within twelve (12) months from the original consumer purchase, any such product shall prove to be defective, it shall be repaired or replaced at SIMER’s option, subject to the terms and conditions set forth herein. Note that this limited warranty applies to manufacturing defects only and not to ordinary wear and tear. All mechanical devices need periodic parts and service to perform well. This limited warranty does not cover repair when normal use has exhausted the life of a part or the equipment.

The original purchase receipt and product warranty information label are required to determine warranty eligibility. Eligibility is based on purchase date of original product – not the date of replacement under warranty. The warranty is limited to repair or replacement of original purchased product only, not replacement product (i.e. one warranty replacement allowed per purchase). Purchaser pays all removal, installation, labor, shipping, and incidental charges.

For parts or troubleshooting assistance, DO NOT return product to your retail store. Contact SIMER Customer Service at 800-468-7867.

Claims made under this warranty shall be made by returning the product (except sewage pumps, see below) to the retail outlet where it was purchased or to the factory immediately after the discovery of any alleged defect. SIMER will subsequently take corrective action as promptly as reasonably possible. No requests for service will be accepted if received more than 30 days after the warranty expires. Warranty is not transferable and does not apply to products used in commercial/rental applications.

**Sewage Pumps**

DO NOT return a sewage pump (that has been installed) to your retail store. Contact SIMER Customer Service. Sewage pumps that have seen service and been removed carry a contamination hazard with them.

If your sewage pump has failed:

- Wear rubber gloves when handling the pump;
- For warranty purposes, return the pump’s cord tag and original receipt of purchase to the retail store;
- Dispose of the pump according to local disposal ordinances.

**Exceptions to the Twelve (12) Month Limited Warranty**

Product	Warranty Period
BW85P, M40P	90 days
2115, 2300, 2310, 2330, 2943, 2955, 2956, 2957, A5500	2 Years
4” Submersible Well Pumps, 2945, 2958, 2975PC, 3075SS, 3963, 3984, 3995	3 Years
Pre-Charged Pressure Tanks, 3985, 3986, 3988, 3989, 5910, 5950, 5955, 5965, 5975	5 Years

**General Terms and Conditions; Limitation of Remedies**

You must pay all labor and shipping charges necessary to replace product covered by this warranty. This warranty does not apply to the following: (1) acts of God; (2) products which, in SIMER’s sole judgement, have been subject to negligence, abuse, accident, misapplication, tampering, or alteration; (3) failures due to improper installation, operation, maintenance or storage; (4) atypical or unapproved application, use or service; (5) failures caused by corrosion, rust or other foreign materials in the system, or operation at pressures in excess of recommended maximums.

This warranty sets forth SIMER’s sole obligation and purchaser’s exclusive remedy for defective products.

SIMER SHALL NOT BE LIABLE FOR ANY CONSEQUENTIAL, INCIDENTAL, OR CONTINGENT DAMAGES WHATSOEVER.


THE FOREGOING WARRANTIES ARE EXCLUSIVE AND IN LIEU OF ALL OTHER EXPRESS AND IMPLIED WARRANTIES, INCLUDING BUT NOT LIMITED TO THE IMPLIED WARRANTIES OF MERCHANTABILITY AND FITNESS FOR A PARTICULAR PURPOSE. THE FOREGOING WARRANTIES SHALL NOT EXTEND BEYOND THE DURATION PROVIDED HEREIN.

Some states do not allow the exclusion or limitation of incidental or consequential damages or limitations on how long an implied warranty lasts, so the above limitations or exclusions may not apply to You. This warranty gives You specific legal rights and You may also have other rights which vary from state to state.

**SIMER • 293 Wright Street • Delavan, WI U.S.A. 53115**  
**Phone: 800-468-7867 • Fax: 800-390-5351 • www.simerpump.com**

## Directives de sécurité importantes

**Conservez ces directives** – Ce manuel renferme d'importantes directives qu'il faut suivre durant l'installation et l'entretien de la pompe.

Ce symbole  indique qu'il faut être prudent. Lorsque ce symbole apparaît sur la pompe ou dans cette Notice, rechercher une des mises en garde qui suivent, car elles indiquent un potentiel de blessures corporelles!

Le mot signal **DANGER** indique un danger qui, s'il n'est pas évité, causera la mort ou des blessures graves.

Le mot signal **AVERTISSEMENT** indique un risque qui, s'il n'est pas évité, pourrait causer la mort ou des blessures graves.

Le mot signal **ATTENTION** indique un risque qui, s'il n'est pas évité, pourrait causer des blessures mineures ou modérées.

Le mot **AVIS** est utilisé pour les pratiques qui ne sont pas reliées aux blessures personnelles.

Lire attentivement toutes les consignes de sécurité contenues dans cette Notice ou collées sur la pompe.

Garder les autocollants de sécurité en bon état; les remplacer s'ils manquent ou s'ils ont été endommagés.

### Avertissement lié à la Proposition 65 de la Californie

**AVERTISSEMENT** Ce produit et les accessoires connexes contiennent des produits chimiques reconnus dans l'État de la Californie comme pouvant provoquer des cancers, des anomalies congénitales ou d'autres dangers relatifs à la reproduction.

**AVIS** Cette pompe n'est pas conçue pour pomper de l'eau salée ni de la saumure! La garantie sera annulée si cette pompe est utilisée pour pomper de l'eau salée ou de la saumure.

## Caractéristiques

Courant d'alimentation requis ..... 115 V, 60 Hz  
 Température du liquide ..... inférieure à 120 °F (50 °C)  
 Circuit de dérivation individuel minimum ..... 15 ampères  
 Refoulement de pompe ..... 1 1/4 po NPT  
 Adaptateur ..... tuyau d'arrosage de 3/4 po

**AVERTISSEMENT** **Risque d'incendie ou d'explosion.** Pouvant causer de graves blessures, des dommages matériels, voire la mort. Ne pas utiliser dans une atmosphère explosive.

Ne pomper que de l'eau avec cette pompe.

**AVIS** Cette pompe n'est pas conçue pour être utilisée en tant que pompe de fontaine ou de chute d'eau ni dans des eaux salées ou de saumure! Son utilisation avec une chute d'eau, une fontaine, de l'eau salée ou de saumure annulera la garantie.

Ne pas utiliser où de l'eau recircule.

Cette pompe n'est pas conçue pour vider les piscines.

## Rendement

Gal/h (L/h) À la hauteur totale de refoulement en pieds (m)						
N° de modèle	0 (0)	5 (1,5m)	10 (3m)	15 (4,6m)	20 (6,1m)	25 (7,6)
Débit refoulé en gallons (L)/Hauteur						
2300-04	1,320 (4,997)	1,170 (4,429)	1,020 (3,861)	810 (3,066)	510 (1,931)	- (-)
2305-04						
2310-04						
2355-04	2,160 (8,160)	1,740 (6,600)	1,620 (6,120)	1,260 (4,790)	720 (2,700)	60 (240)

## Caractéristiques électriques et Interrupteur

N° de modèle	ch	Pleine charge du moteur (en ampères)	Circuit de dérivation individuel minimum (en ampères)
2300-04	1/4	5,6	10
2305-04	1/4	6,0	10
2310-04	1/4	5,6	10
2355-04	1/3	10,0	15

- Il faut connaître les utilisations de la pompe, ses limites et les dangers potentiels que son utilisation représente.
- Ne pas utiliser cette pompe s'il y a présence de poissons dans l'eau. Une fuite d'huile provenant du moteur pourrait tuer les poissons.**
- Couper le courant avant d'intervenir sur la pompe.
- Dissiper toute la pression du circuit avant d'intervenir sur un des éléments de la pompe.
- Vidanger l'eau du circuit avant d'intervenir sur la pompe.
- Bien immobiliser la canalisation de refoulement avant de démarrer la pompe. Une canalisation de refoulement non immobilisée risque de se déplacer comme un fouet et de causer des blessures corporelles et/ou des dommages matériels.
- Avant chaque utilisation, s'assurer que les tuyaux souples ne comportent pas de points faibles ni de parties usées et que tous les raccords sont bien serrés.

8. Périodiquement, inspecter la pompe et tous les éléments de l'ensemble. Procéder à un entretien périodique selon le besoin.
9. Prévoir un moyen de dissiper la pression des pompes dont la canalisation de refoulement risque d'être fermée ou obstruée.
10. Sécurité personnelle :
  - a. Lorsque l'on intervient sur une pompe, toujours porter des lunettes de sécurité.
  - b. Toujours garder la zone de travail propre, dégagée et bien éclairée - Enlever tous les outils et tout l'équipement inutiles.
  - c. Les visiteurs doivent se tenir à une distance sécuritaire de la zone de travail.
  - d. Poser des cadenas pour s'assurer que les enfants ne pourront pas pénétrer dans l'atelier de travail. Poser aussi un interrupteur général et enlever les clés des démarreurs.
11. Pour câbler une électropompe, observer tous les codes de sécurité et de l'électricité en vigueur.
12. **Cet équipement ne fonctionne que sur le courant alternatif monophasé de 115 volts. Il est muni d'un cordon électrique approuvé à 3 conducteurs et d'une fiche à 3 broches dont une de mise à la terre.**

**⚠ AVERTISSEMENT** **Risque de secousses électriques.** Pouvant causer des brûlures, voire la mort. Avant d'intervenir sur la pompe et pour minimiser les risques de secousses électriques, débrancher le cordon électrique de la pompe de la prise de courant. Aucune étude n'a été faite pour savoir si cette pompe pouvait être utilisée aux alentours des piscines. Cette pompe est livrée avec un conducteur électrique dont un de ses conducteurs et une broche de sa fiche servent à la mise à la terre. Ne brancher cette fiche que dans une prise de courant adéquatement mise à la terre.

Au cas où l'installation ne comporterait que des prises de courant à 2 trous, remplacer la prise de courant dans laquelle la fiche sera branchée par une prise de courant à 3 trous adéquatement mise à la terre et posée conformément aux codes et aux décrets en vigueur.

**Ne pas marcher sur cette surface humide tant que toute l'alimentation en courant électrique n'aura pas été coupée.**

Si le sectionneur principal se trouve au sous-sol, appeler la compagnie qui fournit l'électricité pour lui demander d'interrompre le service alimentant la maison ou appeler le service d'incendie de la municipalité pour plus de renseignements. On risque d'être mortellement électrocuté si on ne respecte pas cet avertissement.

**Ne jamais lever la pompe par son cordon électrique.**

13. Tout le câblage doit être exécuté par un électricien qualifié.
14. S'assurer que le courant d'alimentation est conforme aux caractéristiques de l'équipement.
15. Protéger le cordon électrique contre les objets tranchants, les surfaces chaudes, l'huile et les produits chimiques. Éviter de faire des noeuds avec le cordon. Remplacer immédiatement le cordon électrique s'il est endommagé ou usé.
16. Ne pas toucher le moteur de la pompe pendant qu'il fonctionne. Les moteurs peuvent fonctionner par les températures élevées.
17. Ne pas manipuler la pompe ni le moteur de la pompe ni remplacer un fusible lorsqu'on a les mains humides ou lorsqu'on se tient debout sur une surface mouillée, humide ou dans l'eau.

## INSTALLATION

1. Poser la pompe sur une surface dure et dans au moins 2 pouces d'eau.
2. Brancher la conduite de refoulement avec les raccords fournis.
3. Il ne faut pas poser la pompe sur une surface en argile, en terre ou sablonneuse. Bien que la pompe puisse habituellement pomper les petites particules en suspension dans l'eau, débarrasser la zone à pomper des petites pierres et des petits graviers qui risqueraient de boucher la pompe.

**AVIS** L'herbe, la boue, le sable et les petits gravillons peuvent boucher la pompe et réduire son débit. Garder l'orifice d'aspiration de la pompe propre.

4. Pour minimiser le bruit du moteur et les vibrations au cas où on utiliserait un tuyau rigide, un petit morceau de tuyau en caoutchouc, (une durite de radiateur, par exemple) peut être posé sur la conduite de refoulement à l'aide de colliers, près de la pompe.

5. Courant électrique : Ces pompes sont conçues pour fonctionner sur le courant électrique de 115 V, 60 Hz. Elles doivent être branchées sur un circuit de dérivation individuel d'au moins 15 ampères. Chaque pompe est livrée avec un cordon électrique à 3 conducteurs avec broche de mise à la terre.

**⚠ AVERTISSEMENT** **Risque de secousses électriques.** Pouvant causer des brûlures, voire la mort. La pompe doit toujours être électriquement raccordée à la terre, sur un tuyau d'eau mis à la terre, une canalisation adéquatement mise à la terre ou un circuit électrique adéquatement mis à la terre. Ne jamais couper la broche ronde de mise à la terre de la fiche.

6. Si la conduite de refoulement de la pompe est exposée aux températures de congélation extérieures, la partie exposée au gel doit être installée de façon que l'eau restant dans le tuyau puisse se vidanger en retombant par gravité. Si l'on ne respecte pas cette recommandation, l'eau emprisonnée dans la conduite de refoulement peut geler et la pompe risque d'être endommagée.
7. Vérifier le fonctionnement du système en observant la pompe qui effectue un cycle complet.

**⚠ ATTENTION** **Risque d'inondation.** Peut causer le mauvais fonctionnement ou une panne prématurée de la pompe. Ne pas procéder à cette vérification de fonctionnement risque de causer un mauvais fonctionnement, une panne prématurée, voire une inondation.

## Fonctionnement

**⚠ AVERTISSEMENT** **Risque de secousses électriques.** Pouvant causer des brûlures, voire la mort. Ne pas manipuler une pompe ni un moteur de pompe si on a les mains humides ou si on se tient sur une surface mouillée ou humide ou dans l'eau.

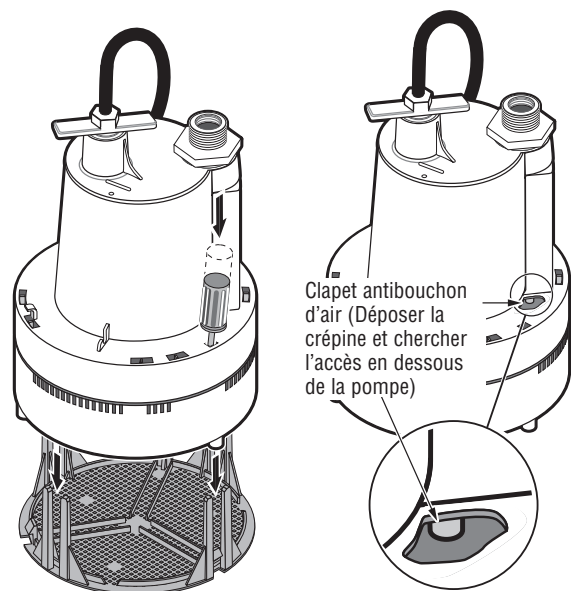
Couper le courant alimentant la pompe avant d'intervenir sur la pompe.

1. Le joint de l'arbre est lubrifié et refroidi par l'eau. Ne pas faire fonctionner la pompe si elle n'est pas dans l'eau. Le joint sera endommagé si la pompe fonctionne à sec.



2. La pompe n'enlèvera pas toute l'eau. Lorsqu'elles sont posées sur une surface plane, les pompes 2300, 2305, et 2310 pomperont jusqu'à 1/8 de pouce de la surface de pompage. Le modèle no 2355 pompera jusqu'à 5/8 de pouce de la surface de pompage.

**AVIS** Pour les cycles de fonctionnement de longue durée, et pour que le moteur ne surchauffe pas, la pompe doit toujours être immergée. Si la pompe fonctionne pendant de longues durées et pour qu'elle refroidisse adéquatement, il est préférable qu'elle soit entièrement immergée.

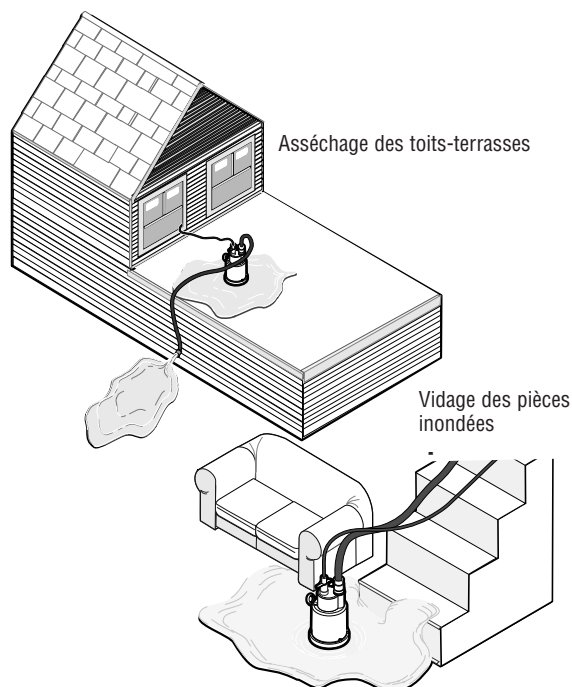


**Figure 1 - Dégraffer la crépine à l'aide d'un tournevis et chasser afin de la nettoyer. S'assurer que tous les fer-moirs sont bien serrés lors de la repose.**

## Bouchon d'air

Si un bouchon d'air se forme dans la pompe, elle fonctionnera mais ne débitera pas d'eau. Un bouchon d'air causera la surchauffe de la pompe, puis sa panne. Les pompes sont dotées d'un trou antibouchon d'air intégré. Voir la Figure 1 pour l'emplacement du trou. Fuite de la bouchon d'air est normale.

Si l'on soupçonne un bouchon d'air, débrancher la pompe, nettoyer le trou antibouchon d'air avec un trombone ou un morceau de fil de fer, puis redémarrer la pompe.



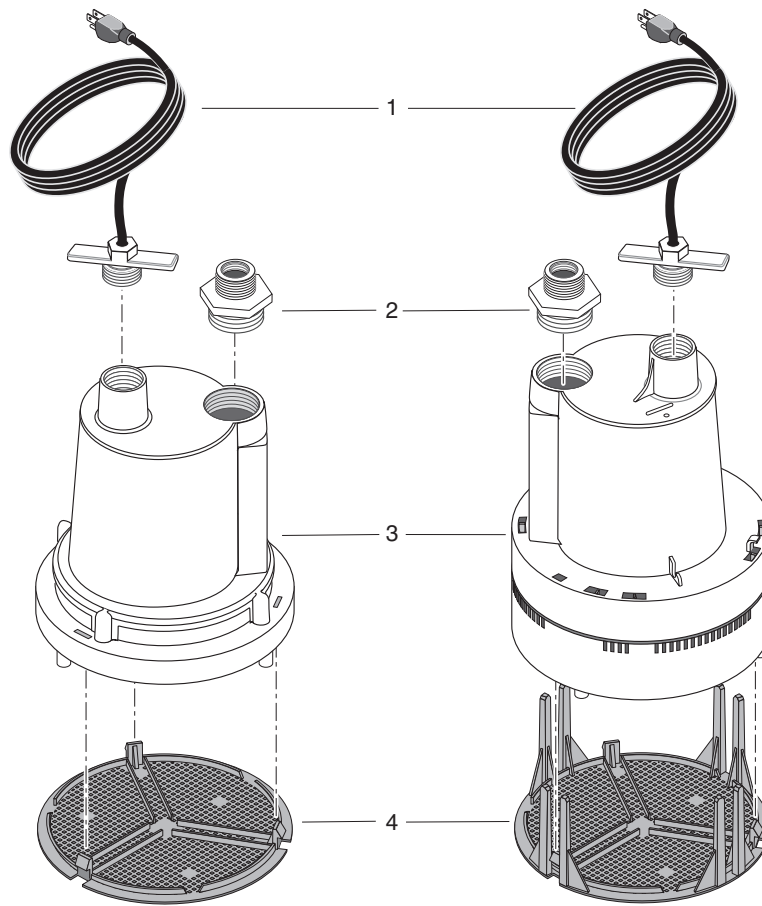
**Figure 2 - Utilisations typiques**

## Recherche des pannes

SYMPTÔMES	CAUSES POSSIBLES	REMÈDES
La pompe ne démarre pas ou ne fonctionne pas.	La pompe n'est pas branchée.  Fusible sauté.  Tension de ligne basse.  Moteur défectueux.	S'assurer que la pompe est branchée dans une prise de courant électrique adéquate. Le remplacer par un fusible de calibre adéquat ou bien réarmer le disjoncteur. Si la tension est inférieure à la tension minimum recommandée, vérifier le calibre des conducteurs côté sectionneur principal de la propriété. Si le calibre des conducteurs est bon, s'adresser à la compagnie d'électricité. Remplacer la pompe.
La pompe fonctionne mais ne débite pas d'eau ou débite très peu d'eau.	Le refoulement est obstrué (obstruction ou glace dans la tuyauterie). L'aspiration est obstruée. Tension de ligne basse.  Des pièces de l'impulseur sont usées ou bien l'impulseur est bouché. Bouchon d'air.	Déposer la pompe et la nettoyer ainsi que les tuyauteries.  Déposer la pompe et nettoyer son aspiration. Si la tension est inférieure à la tension minimum recommandée, vérifier le calibre des conducteurs côté sectionneur principal de la propriété. Si le calibre des conducteurs est bon, s'adresser à la compagnie d'électricité. Remplacer la pompe.  Arrêter la pompe pendant quelques secondes, nettoyer le trou antibouchon d'air, puis redémarrer la pompe.

2300-04, 2310-04

2305-04, 2355-04



Réf.	Désignation	Qté	2300-04 2310-04	2305-04 2355-04
1	Cordon électrique (2300, 2305, 2355)	1	PS117-54-TSU	PS117-54-TSU
1	Cordon électrique (2310)	1	PS117-136-TSU	—
2	Adaptateur	1	HA5	HA5
3	Couvercle du moteur	1	**	**
4	Crépine d'aspiration	1	PS8-129P	—
4	Crépine d'aspiration (2305-04)	1	—	PS8-128P
4	Crépine d'aspiration (2355-04)	1	—	PS8-127P

\*\* Si le moteur tombe en panne, remplacer toute la pompe.

## Conserver le reçu de caisse original aux fins d'admissibilité à la garantie

### Garantie limitée

La présente garantie limitée est entrée en vigueur le 1er juin 2011 et remplace toute garantie non datée ou antérieure à cette date. SIMER garantit à l'acheteur/au consommateur d'origine (l'Acheteur) que ses produits sont exempts de tout vice de matériau et de fabrication. Cette garantie est valable pendant douze (12) mois à partir de la date d'achat d'origine. Si, dans les douze (12) mois suivant la date d'achat d'origine, un produit se révèle défectueux, il doit être réparé ou remplacé, à la discrétion de SIMER, selon les modalités énoncées aux présentes. Il est à noter que la présente garantie limitée s'applique aux défauts de fabrication seulement. Elle ne couvre pas l'usure normale. Tout dispositif mécanique doit faire l'objet d'un entretien périodique pour veiller à son bon fonctionnement. La présente garantie limitée ne couvre pas les réparations attribuables à l'usure normale d'une pièce ou de l'équipement.

Le reçu de caisse original et l'étiquette d'information sur la garantie sont nécessaires pour déterminer l'admissibilité à la garantie. Cette dernière est établie en fonction de la date d'achat de l'article et non de la date de son remplacement sous garantie. La garantie se limite à la réparation ou au remplacement de l'article original seulement et ne couvre pas l'article de rechange (c.-à-d. un article remplacé sous garantie par achat). L'Acheteur assume les frais de retrait, d'installation, de transport et tous les frais accessoires.

Pour obtenir des pièces ou de l'aide technique, NE PAS retourner le produit au détaillant. Contacter le service à la clientèle de SIMER au 800 468-7867.

Toute demande de règlement en vertu de la présente garantie doit être faite en retournant l'article (à l'exception des pompes de puisard; voir la marche à suivre ci-dessous) au magasin où celui-ci a été acheté ou à l'usine dès qu'une défectuosité est soupçonnée. SIMER prendra les mesures correctives nécessaires dans un délai rapide et raisonnable. Aucune demande de réparation ne sera acceptée plus de 30 jours après l'expiration de la garantie.

La garantie ne peut être cédée et ne s'applique pas aux produits utilisés à des fins commerciales ou de location.

### Pompes d'eaux d'égout

NE PAS RETOURNER une pompe d'eaux d'égout (qui a été installée) au détaillant. Communiquer avec le service à la clientèle de SIMER. Les pompes d'eaux d'égout qui ont été utilisées, puis retirées présentent un risque de contamination.

En cas de défaillance de la pompe d'eaux d'égout :

- Porter des gants en caoutchouc pour manipuler la pompe.
- À des fins de garantie, retourner l'étiquette figurant sur le cordon de la pompe et l'original du reçu au détaillant.
- Mettre la pompe au rebut conformément à la réglementation locale.

### Exceptions à la garantie limitée de douze (12) mois

Produit	Période de garantie
BW85P, M40P	90 jours
2115, 2300, 2310, 2330, 2943, 2955, 2956, 2957, A5500	2 ans
Pompe pour puits submersibles de 4 pouces, 2945, 2958, 2975PC, 3075SS, 3963, 3984, 3995	3 ans
Réservoir préchargé de système d'eau, 3985, 3986, 3988, 3989, 5910, 5950, 5955, 5965, 5975	5 ans

### Modalités générales et restriction des recours

L'Acheteur doit payer tous les frais de main d'œuvre et de transport nécessaires au remplacement du produit garanti couvert par cette garantie. Cette garantie ne s'applique pas à ce qui suit : (1) Les catastrophes naturelles; (2) Les produits qui, selon SIMER, ont fait l'objet d'une négligence, d'une utilisation abusive, d'un accident, d'une mauvaise application ou d'une altération; (3) Les défaillances dues à une installation, une utilisation, un entretien ou un entreposage inappropriés; (4) Une application, une utilisation ou une réparation atypique ou non approuvée; (5) Les défaillances causées par la corrosion, la rouille ou d'autres matériaux étrangers au système, ou par une utilisation à une pression supérieure au maximum recommandé.

Cette garantie établit la responsabilité unique de SIMER et le recours exclusif de l'Acheteur en cas de produit défectueux.

SIMER NE POURRA TRE TENUE RESPONSABLE DE TOUT DOMMAGE INDIRECT OU CONSÉCUTIF QUEL QU'IL SOIT.

LA GARANTIE LIMITÉE SUSMENTIONNÉE EST EXCLUSIVE ET REMPLACE TOUTES LES AUTRES GARANTIES EXPRESSES ET TACITES, Y COMPRIS, MAIS SANS S'Y LIMITER, LES GARANTIES DE QUALITÉ MARCHANDE ET D'ADAPTATION À UN USAGE PARTICULIER. LA GARANTIE LIMITÉE SUSMENTIONNÉE NE DOIT PAS ÊTRE PROLONGÉE AU-DELÀ DE LA DURÉE PRÉVUE AUX PRÉSENTES.

Certains États ne permettent pas l'exclusion ou la limitation des dommages indirects ou consécutifs, ni les limitations relatives à la durée des garanties implicites. Par conséquent, il se peut que les limitations ou les exclusions ci-dessus ne s'appliquent pas. Cette garantie procure des droits juridiques précis à l'Acheteur. Cependant, il est possible de bénéficier d'autres droits, qui varient selon l'État.

**SIMER • 293 Wright Street • Delavan, WI U.S.A. 53115**

**Téléphone : 800 468-7867 • Télécopieur : 800 390-5351 • [www.simerpump.com](http://www.simerpump.com)**

## Instrucciones importantes de seguridad

**Guarde estas instrucciones** - Este manual contiene instrucciones importantes que se deben seguir durante la instalación y el mantenimiento del bombas de sumidero.

**⚠** Este es un símbolo de alerta sobre la seguridad. Cuando vea este símbolo en su bomba o en este manual, busque para ver si hay alguna de las siguientes palabras de señal y esté alerta a la posibilidad de lesiones personales.

**⚠ PELIGRO** indica un riesgo que, de no evitarse, *provocará* la muerte o lesiones de gravedad.

**⚠ ADVERTENCIA** indica un riesgo que, de no evitarse, *podría provocar* la muerte o lesiones de gravedad.

**⚠ PRECAUCIÓN** indica un riesgo que, de no evitarse, *podría provocar* lesiones leves o moderadas.

**AVISO** hace referencia a una práctica no relacionada con una lesión física.

**Lea y siga cuidadosamente todas las instrucciones de seguridad en este manual y en la bomba.**

Mantenga las etiquetas de seguridad en buenas condiciones. Reemplace las etiquetas de seguridad faltantes o dañadas.

### Advertencia de la Proposición 65 de California

**⚠ ADVERTENCIA** Este producto y accesorios relacionados contienen sustancias químicas reconocidas en el Estado de California como causantes de cáncer, malformaciones congénitas y otros daños al sistema reproductivo.

### Especificaciones

Suministro de corriente requerido ..... 115V, 60 Hz  
 Gama de temp. del líquido ..... Menos de 120° F (50° C)  
 Requisito (mínimo) del ramal individual..... 15 amperios  
 Descarga de la bomba ..... NPT de 1-1/4"  
 Adaptador ..... Manguera de jardín de 3/4"

**⚠ ADVERTENCIA** **Riesgo de incendio o de explosión.** Puede causar lesiones graves, daños materiales o muerte. No la use en atmósferas explosivas. Bombee solamente agua con esta bomba.

**AVISO** Este aparato no está diseñado como bomba de cascada o fuente, ni para aplicaciones con agua salada o de mar. El uso con cascadas, fuentes, agua salada o de mar anulará la garantía.

No usar en donde hay recirculación de agua.

No ha sido diseñado para usar como desaguador de piscinas de natación.

## Rendimiento

GPH (LPH) A altura total en pies (m)						
Modelo No.	0 (0)	5 (1.5m)	10 (3m)	15 (4.6m)	20 (6.1m)	25 (7.6)
Capacidad en galones (litros)/Hora						
<b>2300-04</b>	1,320	1,170	1,020	810	510	-
<b>2305-04</b>	(4,997)	(4,429)	(3,861)	(3,066)	(1,931)	(-)
<b>2310-04</b>						
<b>2355-04</b>	2,160 (8,160)	1,740 (6,600)	1,620 (6,120)	1,260 (4,790)	720 (2,700)	60 (240)

## Especificaciones eléctricas y de conmutación

Modelo No.	HP	Carga compete del Motor en Amps.	Requisito del ramal individual (Amps.)
2300-04	1/4	5.6	10
2305-04	1/4	6.0	10
2310-04	1/4	5.6	10
2355-04	1/3	10.0	15

1. Infórmese sobre la aplicación, limitaciones y posibles peligros de la bomba.
2. **No use esta bomba en agua con peces. Si hay una fuga de aceite del motor puede matar a los peces.**
3. Desconecte la energía eléctrica antes de efectuar reparaciones.
4. Descargue toda la presión dentro del sistema antes de reparar cualquier componente.
5. Drene toda el agua del sistema antes de efectuar reparaciones.
6. Asegure bien la tubería de descarga antes de poner en marcha la bomba. Una tubería de descarga que no esté firme puede saltar repentinamente y provocar lesiones personales y/o daños materiales.
7. Antes de cada uso, verifique si las mangueras están débiles o gastadas, asegurándose de que todas las conexiones estén firmes.

8. Inspeccione periódicamente la bomba y los componentes del sistema. Manténgalos limpios de escombros y objetos foráneos. Realice el mantenimiento de rutina según sea necesario.
9. Provea un medio de descarga de presión para aquellas bombas cuya tubería de descarga se pueda bloquear o pueda quedar obstruida.
10. Seguridad Personal:
  - a. Use gafas protectoras en todo momento cuando trabaje con la bomba.
  - b. Mantenga la zona de trabajo limpia, despejada y debidamente iluminada - guarde toda herramienta y equipo que no se use.
  - c. Mantenga a los visitantes a una distancia segura de la zona de trabajo.
  - d. Asegúrese de que su taller sea a prueba de niños - con candados, conmutadores maestros y sacando las llaves del arrancador.
11. Cuando realice el cableado de una bomba de accionamiento eléctrico, observe todos los códigos eléctricos y de seguridad que correspondan.
12. **Esta máquina se debe usar solamente con corriente de 115 voltios (monofásica) y viene equipada con un cordón aprobado de 3 conductores y 3 clavijas con conexión a tierra.**

**⚠ ADVERTENCIA Riesgo de choque eléctrico.** Puede provocar choque, quemadura o muerte. Para reducir el riesgo de choque eléctrico, desenchufe la bomba antes de repararla. No se ha investigado aún la posibilidad de usar esta bomba en albercas. La bomba viene con un conductor de puesta a tierra y un enchufe de tipo con conexión a tierra. Asegúrese de que se conecte solamente a un tomacorriente puesto a tierra, de tipo con conexión a tierra.

Si el tomacorriente mural es del tipo para 2 clavijas, éste debe ser reemplazado por un tomacorriente de 3 clavijas debidamente puesto a tierra e instalado conforme con los códigos y reglamentos que correspondan.

**No camine en un lugar mojado hasta que no haya desactivado toda fuente de corriente eléctrica.** Si la llave de paso está en el sótano, llame a la compañía de electricidad o de energía para cortar el servicio a su casa, o llame al departamento de bomberos de su localidad para solicitar instrucciones. El incumplimiento de esta advertencia puede resultar en un choque eléctrico mortal.

**No levante la bomba por medio del cordón eléctrico.**

13. Todo el cableado debe ser efectuado por un electricista certificado.
14. Asegúrese de que la fuente de alimentación cumpla con los requisitos de su equipo.
15. Proteja el cordón eléctrico contra objetos afilados, superficies calientes, aceite y sustancias químicas. Evite que se enrede. Reemplace o repare inmediatamente un cordón que esté dañado o gastado.
16. No toque un motor cuando esté funcionando. Los motores pueden funcionar a temperaturas altas.
17. No maneje la bomba, el motor de la bomba, ni cambie los fusibles, con las manos mojadas o cuando esté parado en suelo húmedo o mojado, o en el agua.

## Instalación

1. Coloque la bomba sobre una superficie dura dentro de 2 pulgadas de agua como mínimo.
2. Conecte la línea de descarga a los accesorios suministrados.
3. La bomba no se debe instalar sobre superficies de arcilla, polvo, lodo o arena. Aunque la bomba generalmente pasará partículas pequeñas suspendidas en el agua, es importante que se limpie la zona de bombeo de piedras pequeñas y grava que puedan obstruir la bomba.

**AVISO** Césped, lodo, arena o gravilla pueden obstruir la bomba y reducir su rendimiento. Mantenga limpia la malla de admisión de la bomba.

4. Para reducir el ruido y las vibraciones del motor, cuando se use una tubería rígida, se puede conectar una manguera corta de caucho (por ej. manguera de radiador) en la línea de descarga, cerca de la bomba, usando abrazaderas adecuadas.
5. Suministro de energía: Estas bombas han sido diseñadas para funcionar con una corriente de 115 V, 60 Hz, y requieren un ramal individual con un mínimo de 15 amperios. La bomba viene equipada con un cordón trifilar con enchufe de tipo conexión a tierra.

**⚠ ADVERTENCIA Riesgo de choque eléctrico.** Puede provocar choque, quemadura o muerte. La bomba siempre debe estar puesta a tierra por medio de una conexión eléctrica a tierra adecuada como una tubería de agua puesta a tierra, una canalización metálica debidamente puesta a tierra, o un sistema de cableado a tierra. No corte la clavija redonda de conexión a tierra.

6. Si la línea de descarga de la bomba está expuesta a la intemperie con temperaturas heladas, la porción de la línea que quede expuesta, deberá ser instalada de manera que el agua que permanezca en la tubería se desagüe hacia la salida por gravedad. Si se ignora esta precaución, existe el riesgo de que el agua que quede atrapada en la descarga se congele y dañe la bomba.
7. Inspeccione la operación del sistema observando el funcionamiento de la bomba durante un ciclo completo.

**⚠ PRECAUCIÓN Riesgo de inundación.** Puede provocar lesiones personales y/o daños materiales. Si no se realiza esta verificación de la operación, existe el riesgo de un funcionamiento inadecuado, una falla prematura e inundaciones.

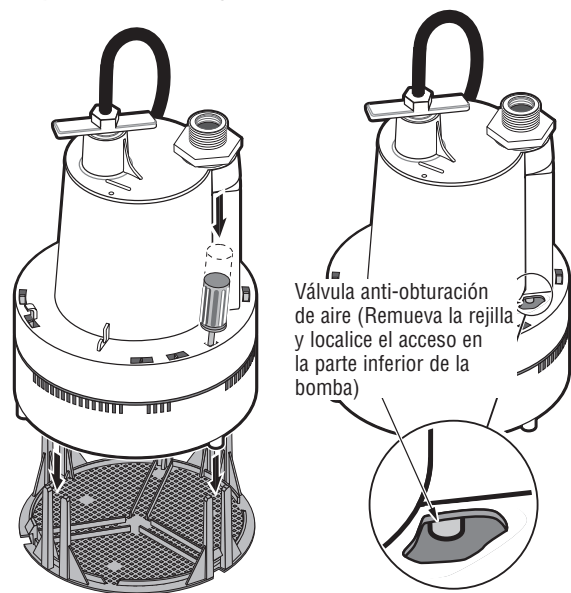
## Operación

**⚠ ADVERTENCIA Riesgo de choque eléctrico.** Puede provocar choque, quemadura o muerte. No maneje la bomba ni el motor de la bomba con las manos mojadas o cuando esté parado sobre una superficie mojada o húmeda, o en agua. Antes de tratar de verificar la razón por la que una unidad dejó de funcionar, desconecte la corriente desde la misma.

1. El sello del eje depende del agua para su lubricación y su enfriamiento. No opere la bomba a menos que se encuentre sumergida dentro del agua, ya que el sello se perjudicará si marcha en seco.

- La bomba no eliminará toda el agua. Sobre una superficie plana, los Modelos Números 2300, 2305, y 2310 bombearán y reducirán el agua hasta un nivel de 1/8 pulgada de la superficie de bombeo. El Modelo No. 2355 bombeará y reducirá el agua hasta un nivel de 5/8 pulgada de la superficie de bombeo.

**AVISO** Para ciclos de funcionamiento largos, la bomba debe estar sumergida para evitar que el motor se recaliente. Si la bomba funciona durante un período largo y para que se pueda enfriar adecuadamente, es preferible que esté completamente sumergida.

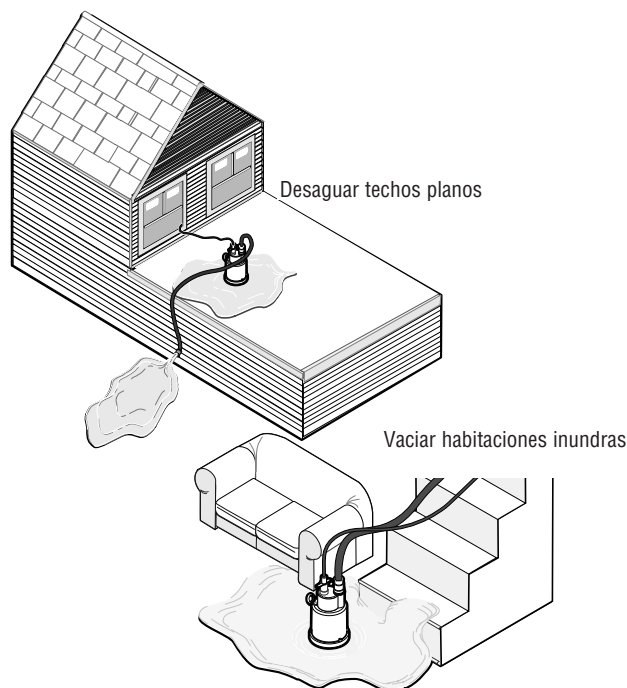


**Figura 1 - Desabroche la rejilla usando un destornillador y sacúdala para limpiarla. Asegúrese de que todos los broches enganchen bien ajustadamente al reponerla.**

## Bolsas de aire (“airlock”)

Cuando el flujo de la bomba disminuye o se para debido a bolsas de aire, la bomba marcha pero no mueve agua. Una bolsa de aire puede hacer que la bomba se recaliente y falle. Las bombas cuentan con un orificio incorporado contra bolsas de aire. Consulte la Figura 1 para ubicar la posición del orificio. Fugas del orificio “anti-airlock” está normal.

Si usted sospecha que hay una bolsa de aire, desenchufe la bomba, limpie el orificio “anti-airlock” con un clip de papel o un trozo de alambre y vuelva a activarla.



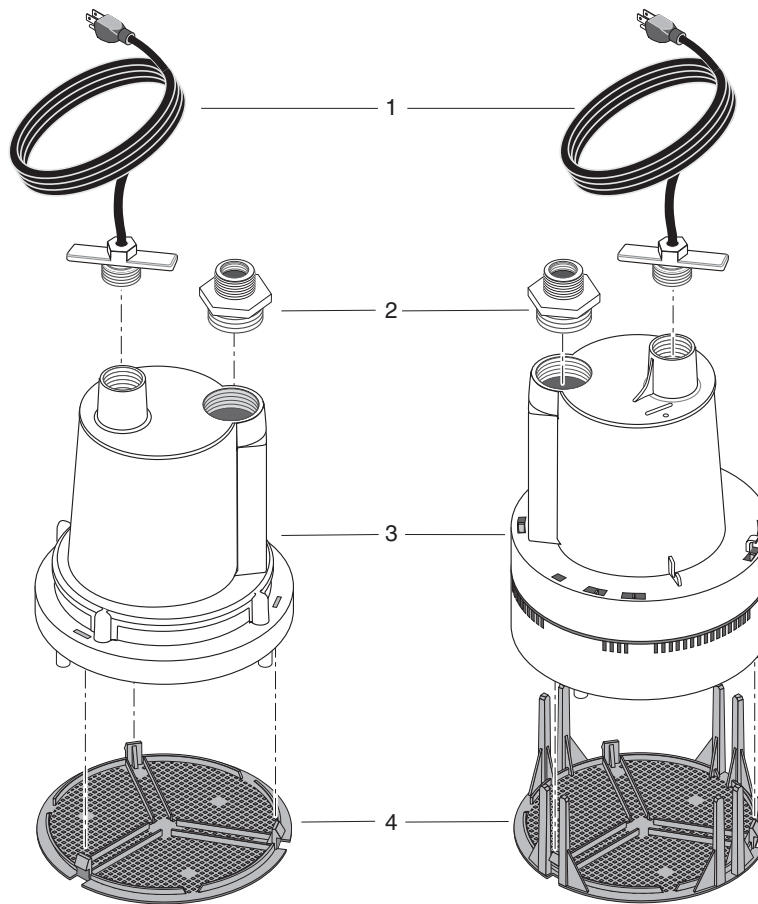
**Figura 2 - Usos típicos**

## Localización de fallas

SÍNTOMA	CAUSA(S) PROBABLE(S)	ACCIÓN CORRECTIVA
La bomba no arranca o no marcha.	La bomba no está enchufada.  Fusible quemado.  Baja tensión de línea.  Motor defectuoso.	Verifique que la bomba esté enchufada en un tomacorriente adecuado.  Si está quemado, reemplace por un fusible del tamaño adecuado o repositone el disyuntor.  La tensión se encuentra por debajo del mínimo recomendado. Verifique el tamaño de los cables desde el conmutador principal en la propiedad. Si es el correcto, comuníquese con la empresa de energía o de suministro de corriente eléctrica.  Reemplace la bomba.
La bomba funciona pero entrega poco o nada de agua.	Descarga limitada (obstáculo o hielo en la tubería). Admisión restringida. Baja tensión de línea.  Piezas gastadas o impulsor tapado. Bolsa de aire (disminución de flujo).	Saque la bomba y limpie la bomba y la tubería.  Saque la bomba y limpie el accesorio de admisión.  La tensión se encuentra por debajo del mínimo recomendado. Verifique el tamaño de los cables desde el conmutador principal en la propiedad. Si es el correcto, comuníquese con la empresa de energía o de suministro de corriente eléctrica.  Reemplace la bomba.  Apague la bomba por unos segundos, limpie el orificio “anti-airlock” y luego vuelva a activarla.

2300-04, 2310-04

2305-04, 2355-04



Clave	Descripción de la pieza	Cantidad	2300-04 2310-04	2305-04 2355-04
1	Cordón eléctrico (2300, 2305, 2355)	1	PS117-54-TSU	PS117-54-TSU
1	Cordón eléctrico (2310)	1	PS117-136-TSU	—
2	Adaptador	1	HA5	HA5
3	Cubierta, unidad del motor	1	**	**
4	Malla de admisión	1	PS8-129P	—
4	Malla de admisión (2305-04)	1	—	PS8-128P
4	Malla de admisión (2355-04)	1	—	PS8-127P

\*\* Si falla el motor, reemplace la bomba completa.

**Retener el recibo original a fin de determinar la elegibilidad para la garantía**

**Garantía limitada**

Esta Garantía Limitada entra en vigor el 1 de junio de 2011 y sustituye toda garantía sin fecha o garantía con fecha anterior al 1 de junio de 2011.

SIMER le garantiza al comprador consumidor original (el "Comprador" o "Usted") de sus productos, que éstos estarán libres de defectos en materiales y en mano de obra por un período de doce (12) meses, a partir de la fecha de la compra original del consumidor. Si dentro de los doce (12) meses a partir de la fecha de la compra inicial del consumidor, será reparado o reemplazado a opción de la SIMER, sujeto a los términos y condiciones establecidos en la presente. Tome nota de que esta garantía limitada cubre defectos de manufactura solamente y no el desgaste común. Todos los aparatos mecánicos periódicamente necesitan repuestos y servicio para un funcionamiento correcto. Esta garantía limitada no cubre las reparaciones que se realicen cuando el uso normal haya agotado la vida útil de una pieza o del aparato.

Es necesario retener el recibo de compra original y la etiqueta de información de la garantía a fin de determinar la elegibilidad para la garantía. La elegibilidad se basa en la fecha de compra del producto original - no en la fecha del reemplazo bajo la garantía. La garantía es limitada y cubre solamente la reparación o el reemplazo del producto original adquirido, no del producto reemplazado (es decir que se permite un reemplazo por compra bajo la garantía). El comprador pagará todos los costos de remoción, instalación, mano de obra y envío necesarios, así como todo costo adicional asociado.

Si necesita piezas o resolución de problemas, NO regrese el producto a la tienda minorista. Llame el Servicio a la Clientela de SIMER al 800-468-7867.

Las reclamaciones hechas bajo esta garantía se realizarán mediante la devolución del producto (a excepción de las bombas cloacales - ver a continuación) al concesionario de venta al público en donde se haya adquirido o a la fábrica, inmediatamente después de haber descubierto cualquier presunto defecto. SIMER entonces tomará la medida correctiva tan pronto como sea razonablemente posible. No se aceptarán solicitudes de servicio, si se reciben más de 30 días después del vencimiento de esta garantía.

La garantía no es transferible y no cubre productos utilizados en aplicaciones comerciales o de alquiler.

**Bombas cloacales**

NO devuelva una bomba cloacal (que se haya instalado) a su tienda minorista. Comuníquese con el Departamento de Atención al Cliente de SIMER. Las bombas cloacales que hayan estado en servicio y se hayan removido pueden representar un peligro de contaminación.

Si su bomba cloacal ha fallado:

- Use guantes de caucho cuando manipule la bomba;
- Para los fines de la garantía, devuelva la etiqueta del cordón de la bomba y el recibo de compra original a la tienda minorista;
- Descarte la bomba cumpliendo con todas las normas locales que correspondan para su eliminación.

**Excepciones para la garantía limitada de doce (12) meses**

Producto	Período de garantía
BW85P, M40P	90 días
2115, 2300, 2310, 2330, 2943, 2955, 2956, 2957, A5500	2 años
Bombas de pozo sumergibles de 4", 2945, 2958, 2975PC, 3075SS, 3963, 3984, 3995	3 años
Tanque precargado del sistema de agua, 3985, 3986, 3988, 3989, 5910, 5950, 5955, 5965, 5975	5 años

**Términos y condiciones generales; Limitación de recursos**

Usted deberá pagar por todos los gastos de mano de obra y de envío necesarios para reemplazar el producto cubierto por esta garantía. Esta garantía no se aplicará en las siguientes situaciones: (1) caso de fuerza mayor (2) productos que, a sólo juicio de SIMER hayan sido sometidos a negligencia, abuso, accidente, mala aplicación, manejo indebido o alteraciones; (3) fallas debido a instalación, operación, mantenimiento o almacenamiento inadecuados; (4) aplicaciones, usos o servicios que no sean normales o aprobados; (5) fallas provocadas por corrosión, herrumbre u otros materiales extraños en el sistema, o una operación a presiones que excedan los máximos recomendados.

Esta garantía establece la única obligación de SIMER y el recurso exclusivo del Comprador con respecto a los productos defectuosos. SIMER NO SE HARÁ RESPONSABLE DE NINGÚN DAÑO—O CONSECUENTE, INCIDENTAL O CONTINGENTE.

LAS GARANTÍAS LIMITADAS QUE ANTECEDEN SON EXCLUSIVAS Y EN LUGAR DE TODA OTRA GARANTÍA EXPLÍCITA E IMPLÍCITA, INCLUYENDO, PERO SIN LIMITARSE A LAS GARANTÍAS IMPLÍCITAS DE COMERCIABILIDAD E IDONEIDAD PARA UN FIN ESPECÍFICO. LAS GARANTÍAS LIMITADAS QUE ANTECEDEN NO SE EXTENDERÁN MÁS ALLÁ DEL PERÍODO DE DURACIÓN INDICADO EN LA PRESENTE.

Algunos Estados no permiten la exclusión o limitación de daños incidentales o consecuentes o de limitaciones de tiempo sobre garantías implícitas, de modo que es posible que las limitaciones o exclusiones que preceden no correspondan en su caso. Esta garantía le otorga derechos legales específicos y es posible que Usted también tenga otros derechos que pueden variar de un Estado al otro.

**SIMER • 293 Wright Street • Delavan, WI U.S.A. 53115**  
**Teléfono: 800-468-7867 • Fax: 800-390-5351 • www.simerpump.com**